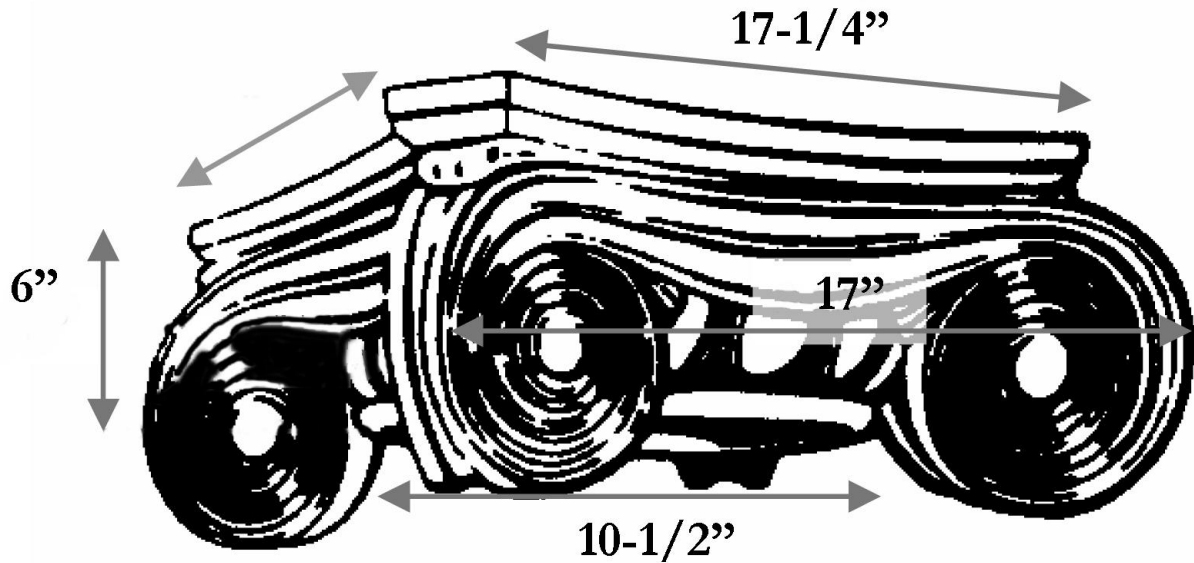


CHADSWORTH INCORPORATED

CAST RESIN CAPITALS

10-1/2" GREEK ANGULAR IONIC



SPECIFICATIONS

Load Bearing:	Yes
Material:	Cast Polyester Resin
Base Width:	10-1/2"
Height:	6"
Abacus:	17-1/4"
Scroll to Scroll:	17"