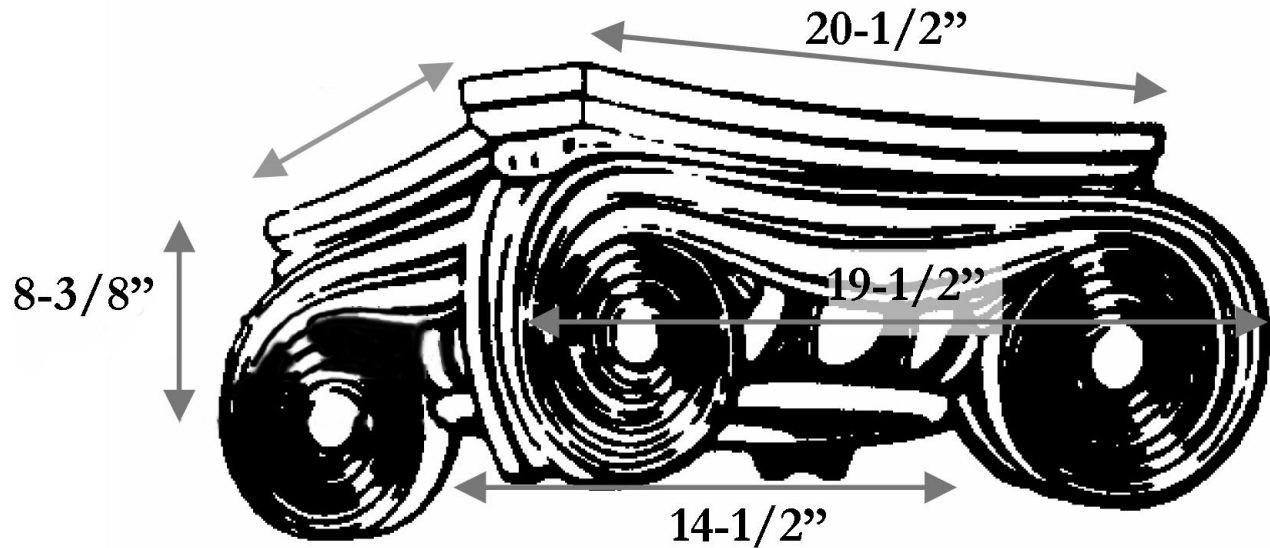


CHADSWORTH INCORPORATED

CAST RESIN CAPITALS

14-1/2" GREEK ANGULAR IONIC



SPECIFICATIONS

Load Bearing:	Yes
Material:	Cast Polyester Resin
Base Width:	14-1/2"
Height:	8-3/8"
Abacus:	20-1/2"
Scroll to Scroll:	19-1/2"