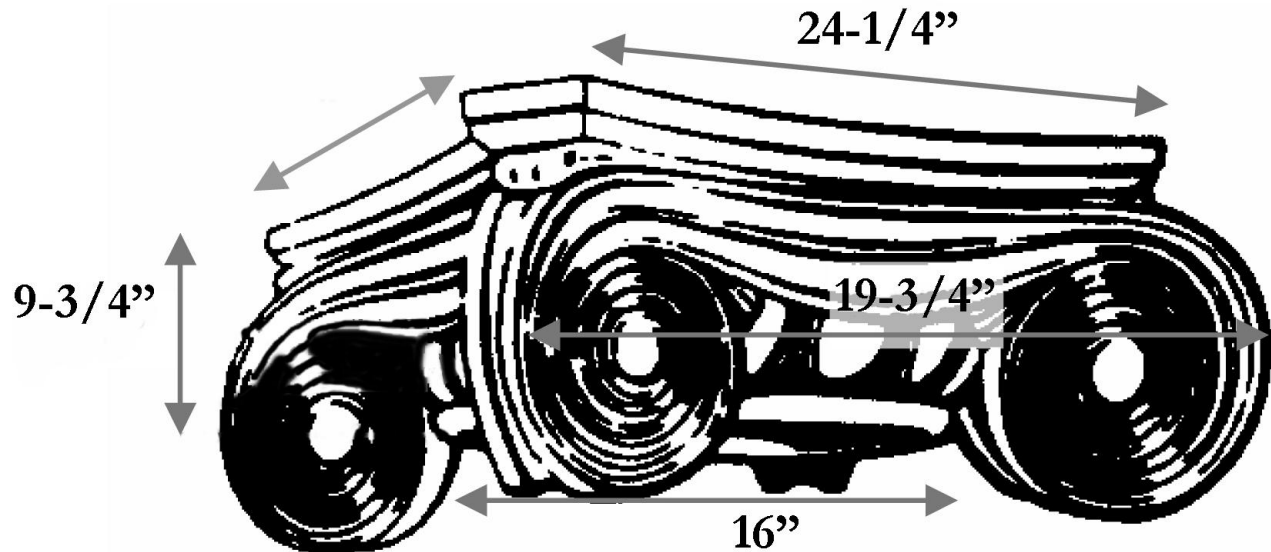


CHADSWORTH INCORPORATED

CAST RESIN CAPITALS

16" GREEK ANGULAR IONIC



SPECIFICATIONS

Load Bearing:	Yes
Material:	Cast Polyester Resin
Base Width:	16"
Height:	9-3/4"
Abacus:	24-1/4"
Scroll to Scroll:	19-3/4"