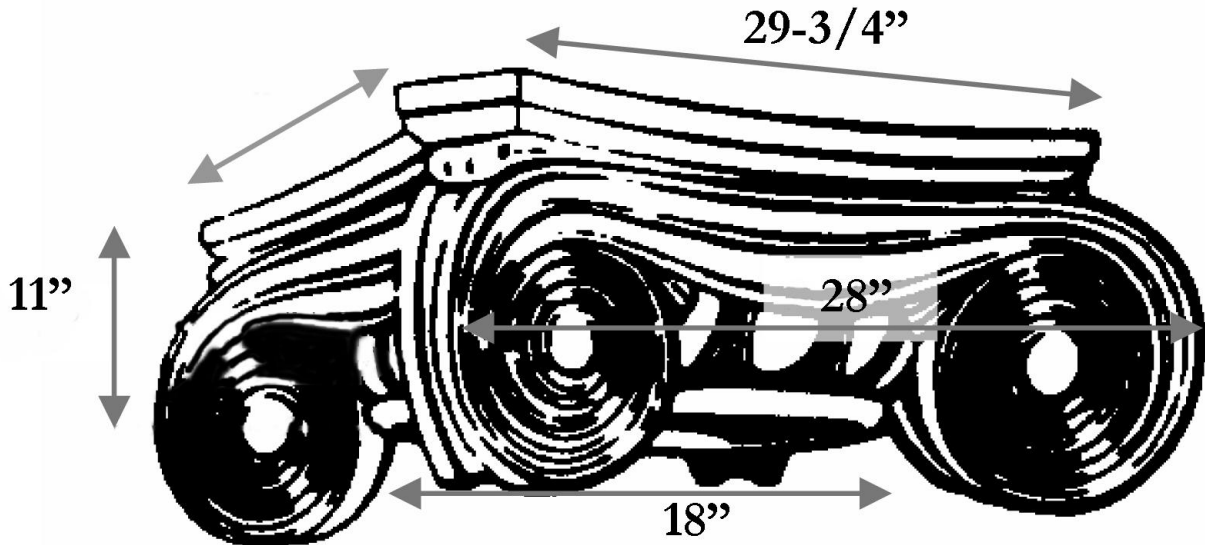


CHADSWORTH INCORPORATED

CAST RESIN CAPITALS

18" GREEK ANGULAR IONIC



SPECIFICATIONS

Load Bearing:	Yes
Material:	Cast Polyester Resin
Base Width:	18"
Height:	11"
Abacus:	29-3/4"
Scroll to Scroll:	28"