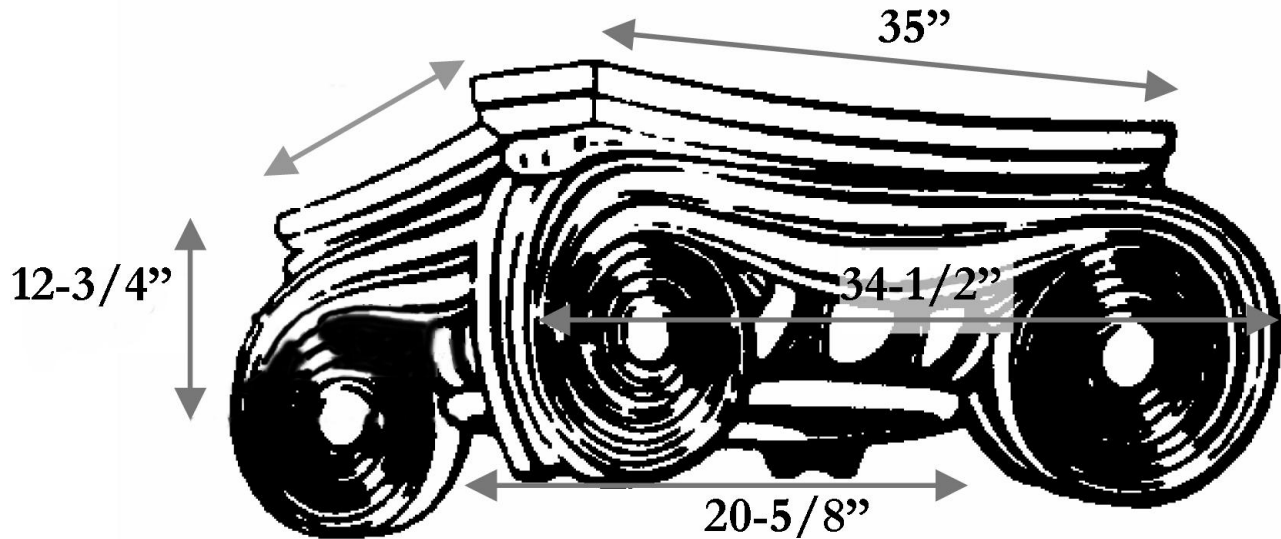


# CHADSWORTH INCORPORATED

## CAST RESIN CAPITALS

20-5/8" GREEK ANGULAR IONIC



### SPECIFICATIONS

|                   |                      |
|-------------------|----------------------|
| Load Bearing:     | Yes                  |
| Material:         | Cast Polyester Resin |
| Base Width:       | 20-5/8"              |
| Height:           | 12-3/4"              |
| Abacus:           | 35"                  |
| Scroll to Scroll: | 34-1/2"              |