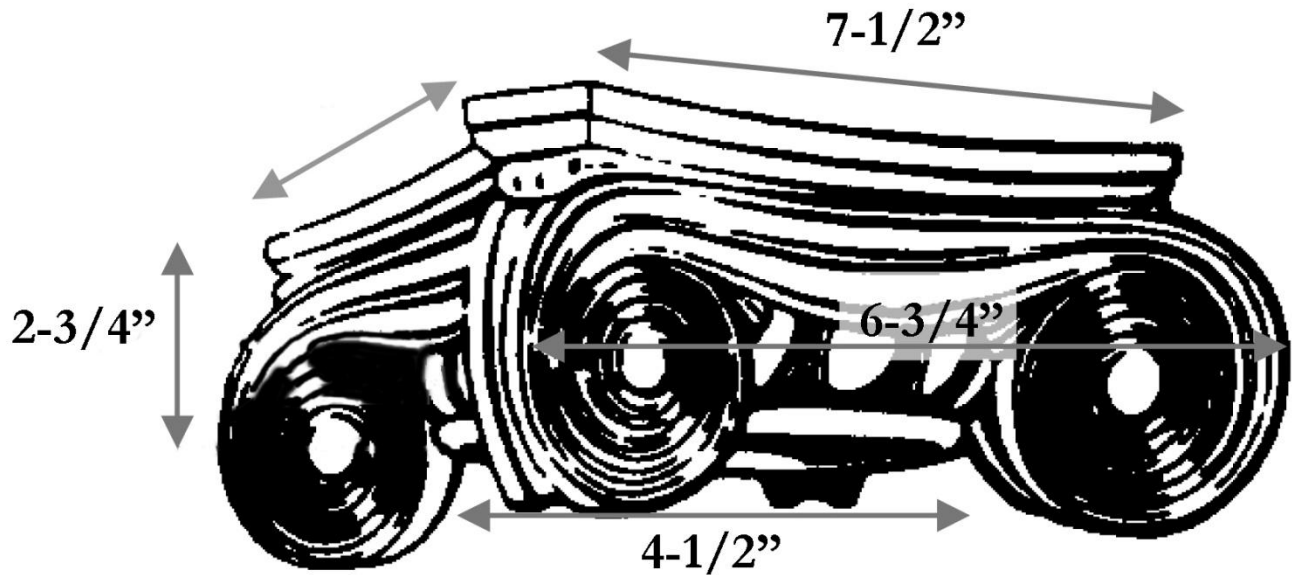


CHADSWORTH INCORPORATED

CAST RESIN CAPITALS

4-1/2" GREEK ANGULAR IONIC



SPECIFICATIONS

Load Bearing:	Yes
Material:	Cast Polyester Resin
Base Width:	4-1/2"
Height:	2-3/4"
Abacus:	7-1/2"
Scroll to Scroll:	6-3/4"

CHADSWORTH INCORPORATED • 277 NORTH FRONT STREET • HISTORIC WILMINGTON, NC 28401

PHONE: 1.800.486.2118 • FAX: 910.763.3191 • E-MAIL: sales@columns.com