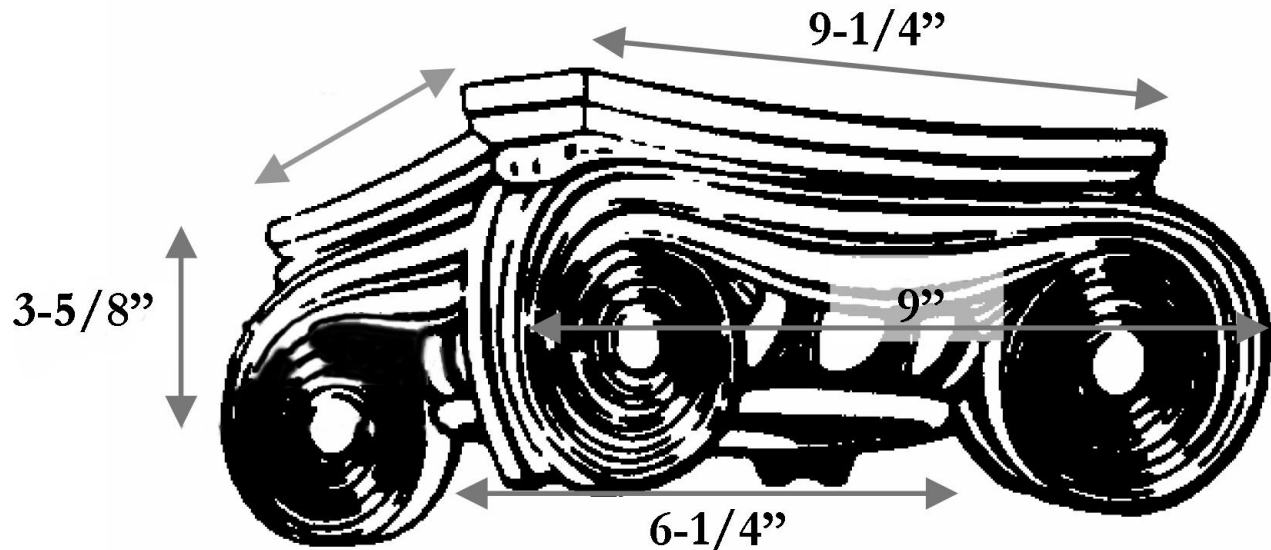


# CHADSWORTH INCORPORATED

## CAST RESIN CAPITALS

### 6-1/4" GREEK ANGULAR IONIC



#### SPECIFICATIONS

Load Bearing:	Yes
Material:	Cast Polyester Resin
Base Width:	6-1/4"
Height:	3-5/8"
Abacus:	9-1/4"
Scroll to Scroll:	9"