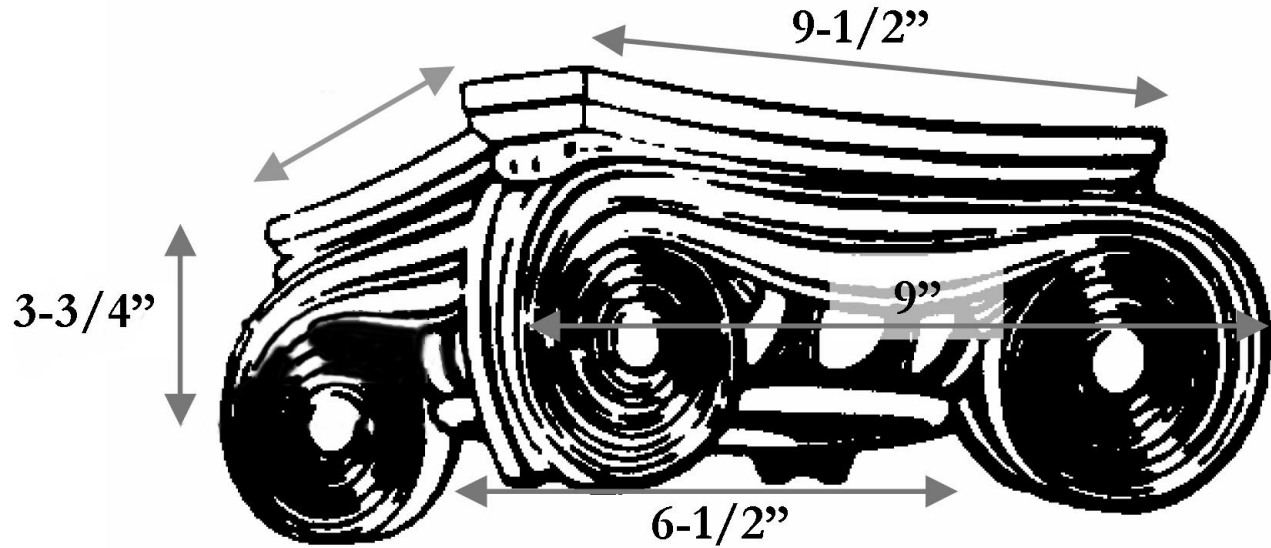


CHADSWORTH INCORPORATED

CAST RESIN CAPITALS

6-1/2" GREEK ANGULAR IONIC



SPECIFICATIONS

Load Bearing:	Yes
Material:	Cast Polyester Resin
Base Width:	6-1/2"
Height:	3-3/4"
Abacus:	9-1/2"
Scroll to Scroll:	9"