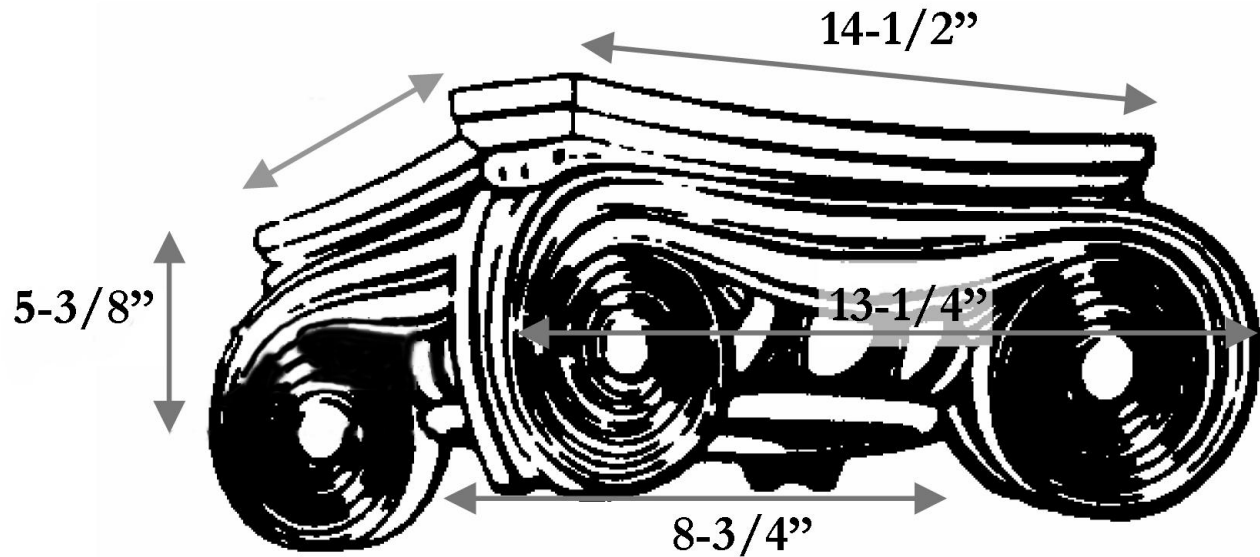


# CHADSWORTH INCORPORATED

## CAST RESIN CAPITALS

8-3/4" GREEK ANGULAR IONIC



### SPECIFICATIONS

Load Bearing:	Yes
Material:	Cast Polyester Resin
Base Width:	8-3/4"
Height:	5-3/8"
Abacus:	14-1/2"
Scroll to Scroll:	13-1/4"