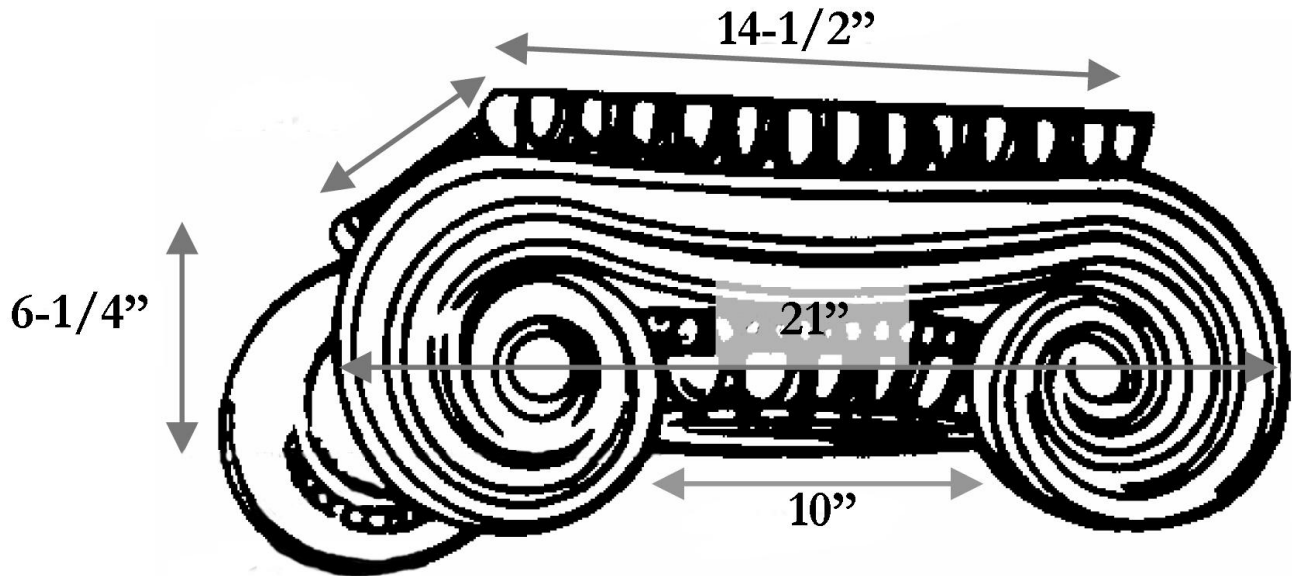


CHADSWORTH INCORPORATED

CAST RESIN CAPITALS

10" GREEK ERECHTHEUM



SPECIFICATIONS

Load Bearing:	Yes
Material:	Cast Polyester Resin
Base Width:	10"
Height:	6-1/4"
Abacus:	14-1/2"
Scroll to Scroll:	21"