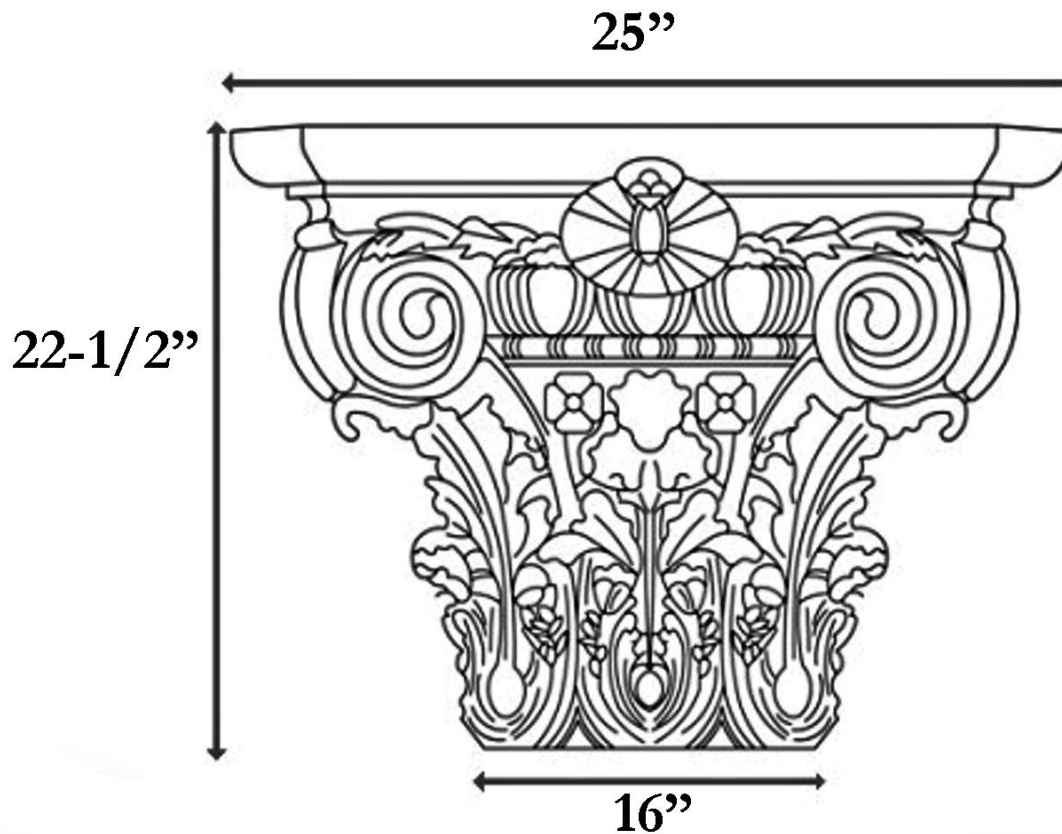


CHADSWORTH INCORPORATED

CAST RESIN CAPITALS

16" MODERN COMPOSITE



SPECIFICATIONS

Load Bearing:	Yes
Material:	Cast Polyester Resin
Base Width:	16"
Height:	22-1/2"
Abacus:	25"