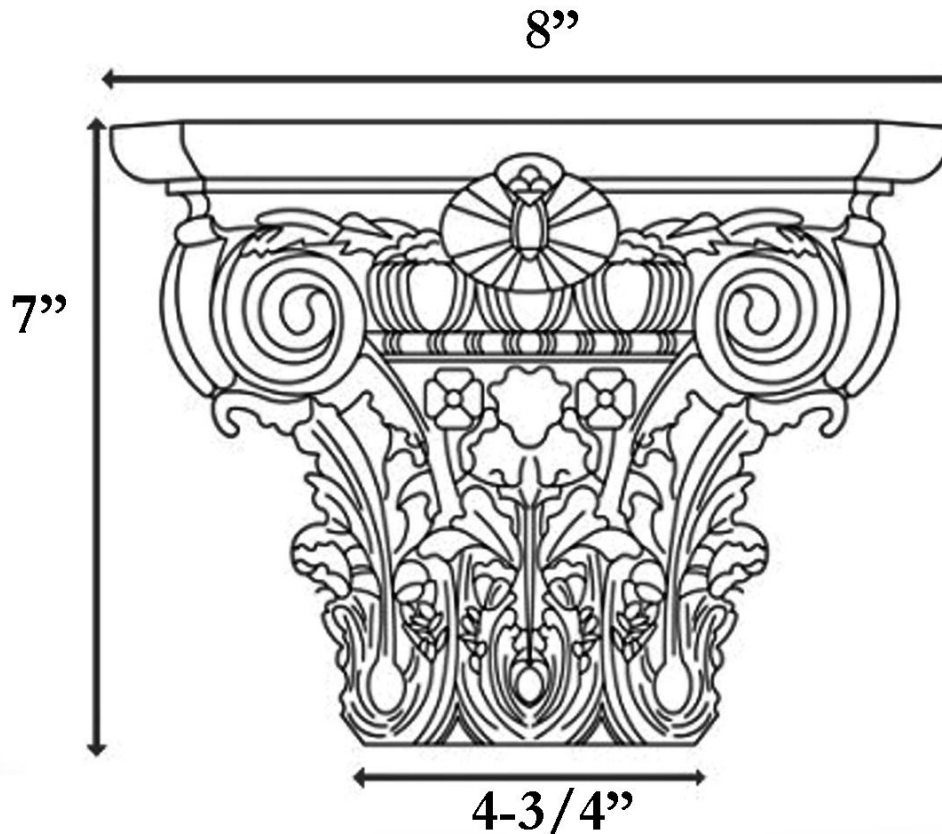


# CHADSWORTH INCORPORATED

## CAST RESIN CAPITALS

4-3/4" MODERN COMPOSITE



### SPECIFICATIONS

|               |                      |
|---------------|----------------------|
| Load Bearing: | Yes                  |
| Material:     | Cast Polyester Resin |
| Base Width:   | 4-3/4"               |
| Height:       | 7"                   |
| Abacus:       | 8"                   |