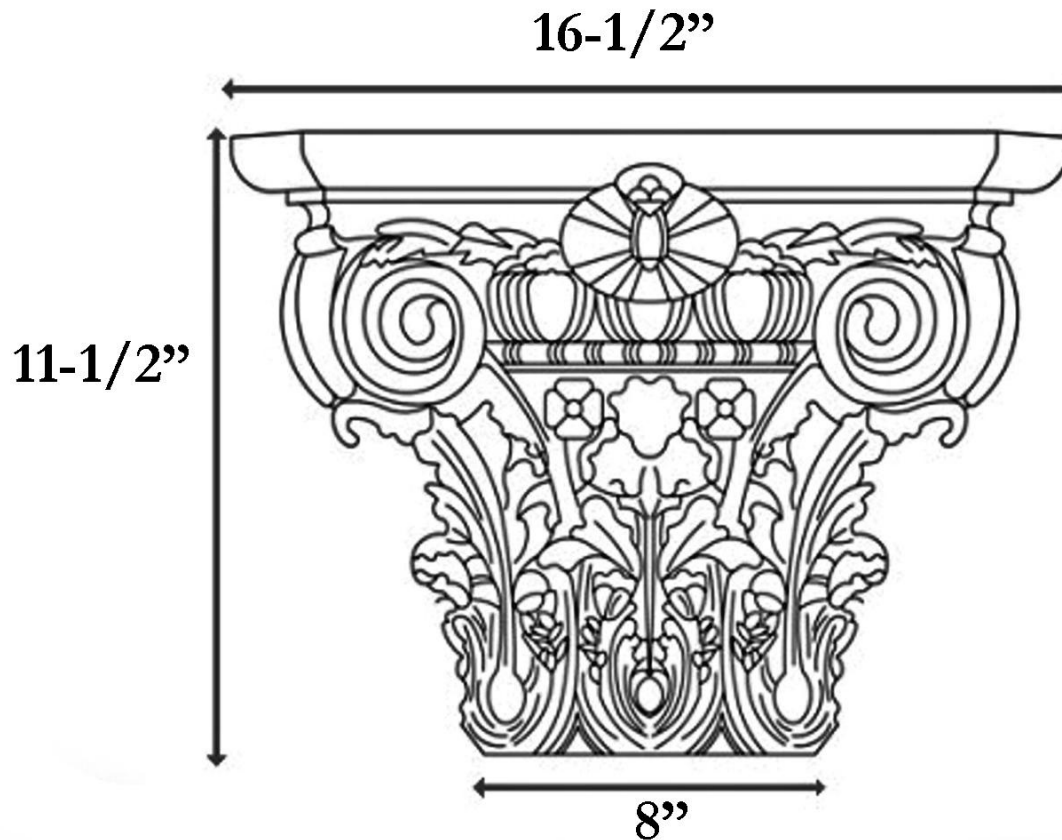


# CHADSWORTH INCORPORATED

## CAST RESIN CAPITALS

8" MODERN COMPOSITE



### SPECIFICATIONS

Load Bearing:	Yes
Material:	Cast Polyester Resin
Base Width:	8"
Height:	11-1/2"
Abacus:	16-1/2"