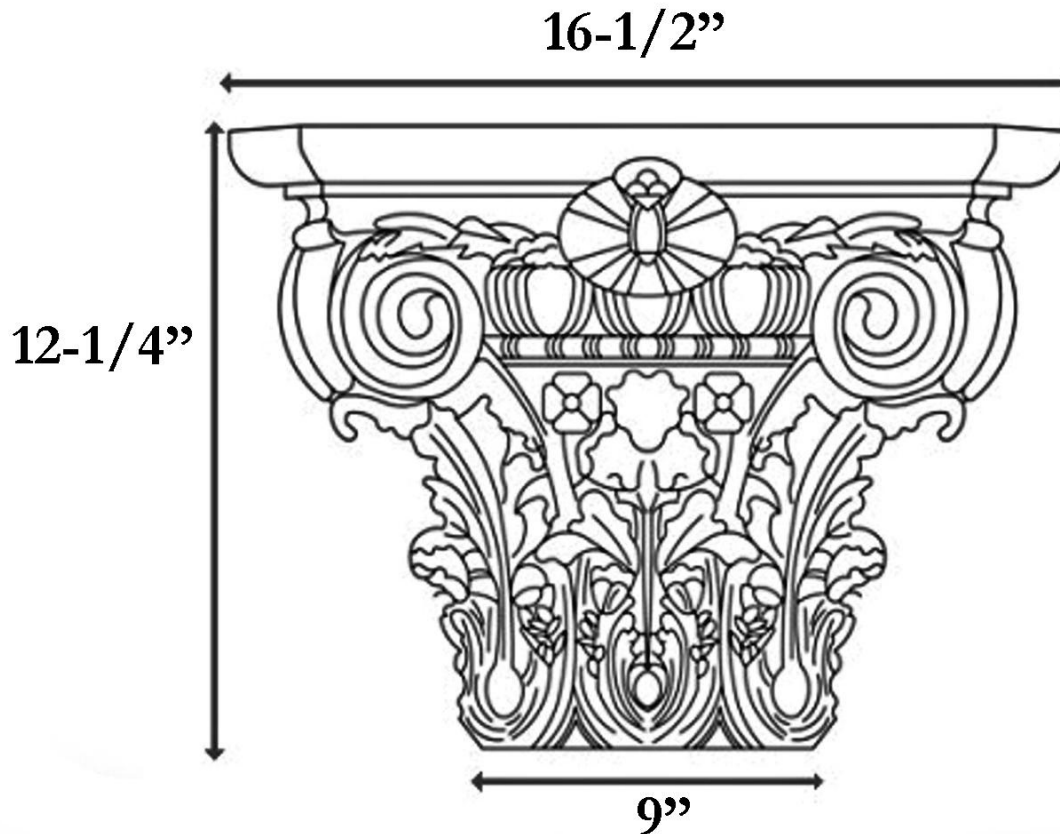


CHADSWORTH INCORPORATED

CAST RESIN CAPITALS

9" MODERN COMPOSITE



SPECIFICATIONS

Load Bearing:	Yes
Material:	Cast Polyester Resin
Base Width:	9"
Height:	12-1/4"
Abacus:	16-1/2"