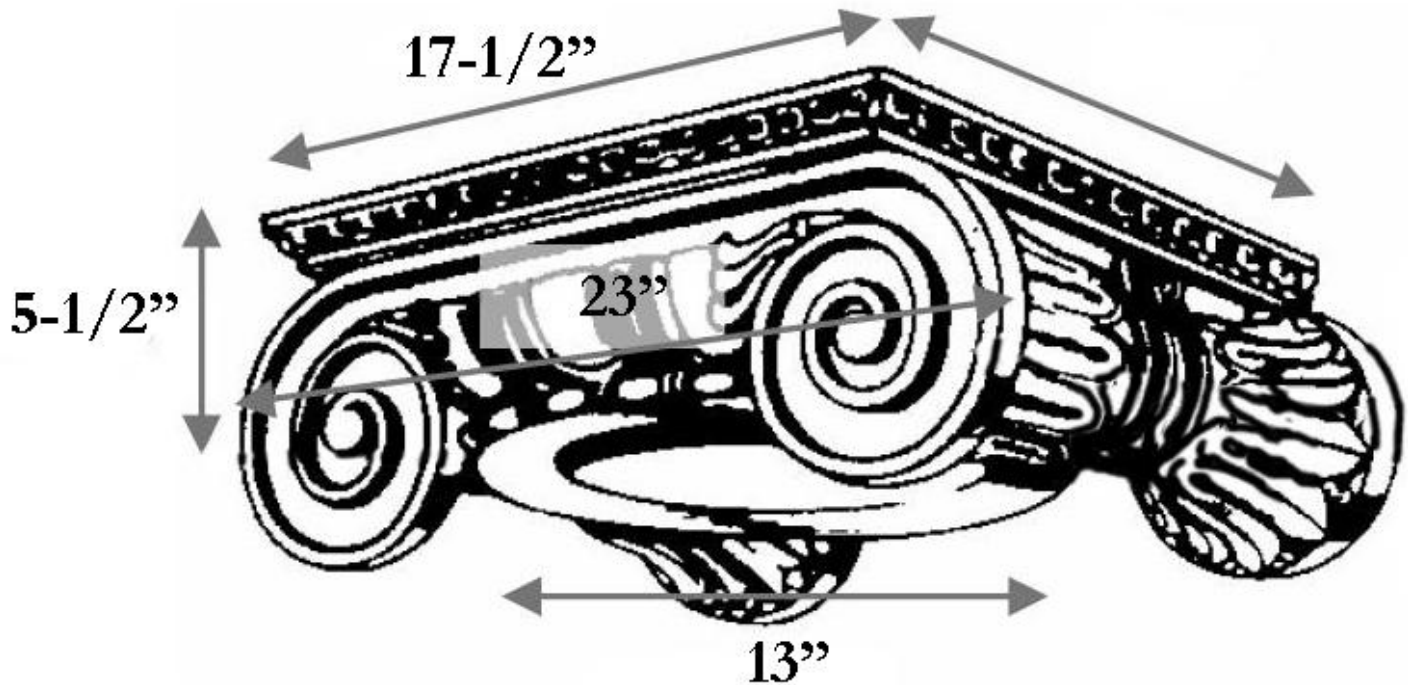


# CHADSWORTH INCORPORATED

## CAST RESIN CAPITALS

13" ROMAN IONIC



### SPECIFICATIONS

Load Bearing:	Yes
Material:	Cast Polyester Resin
Base Width:	13"
Height:	5-1/2"
Abacus:	17-1/2"
Scroll to Scroll:	23"