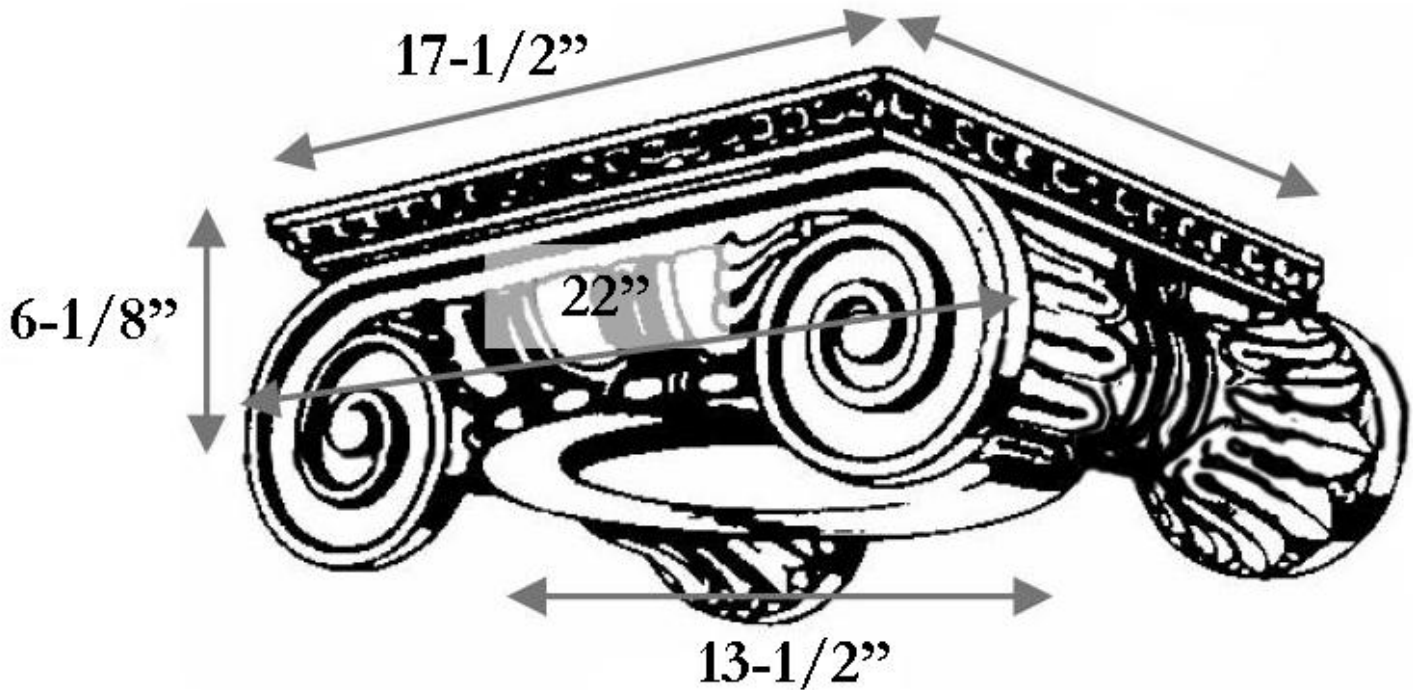


CHADSWORTH INCORPORATED

CAST RESIN CAPITALS

13-1/2" ROMAN IONIC



SPECIFICATIONS

Load Bearing:	Yes
Material:	Cast Polyester Resin
Base Width:	13-1/2"
Height:	6-1/8"
Abacus:	17-1/2"
Scroll to Scroll:	22"