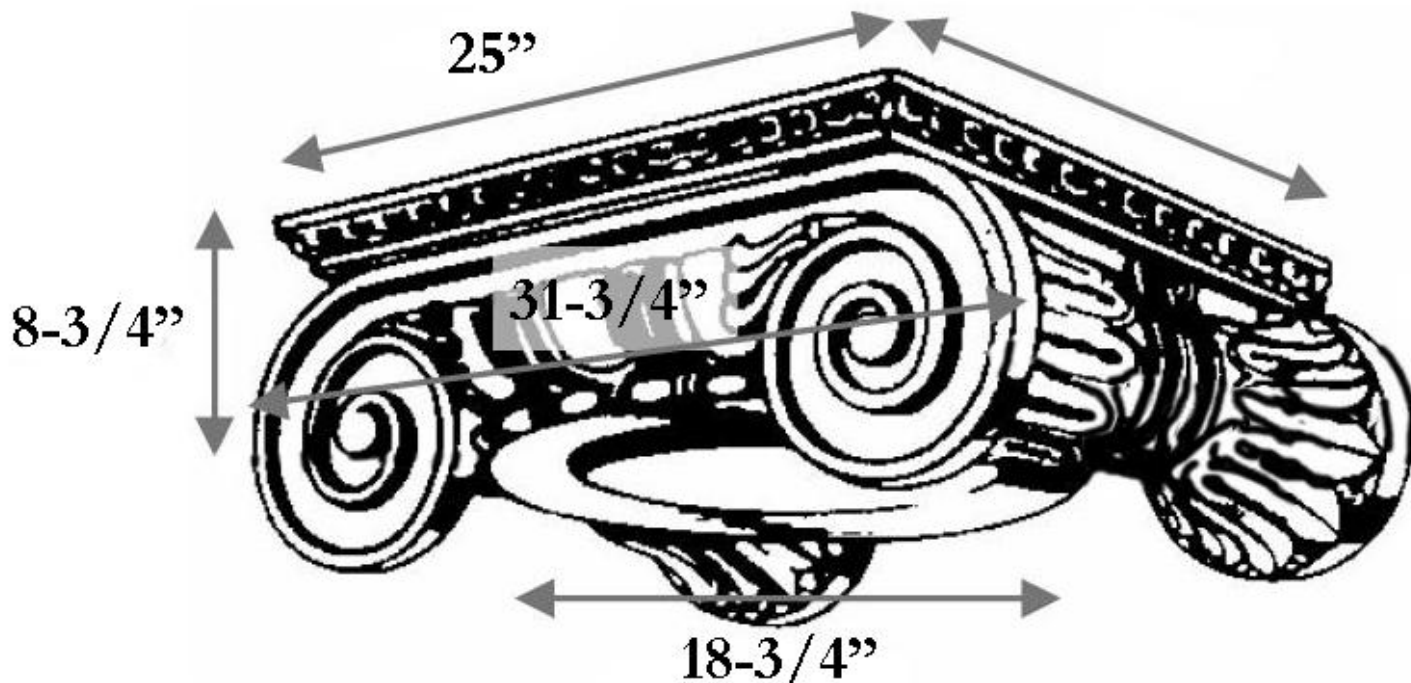


CHADSWORTH INCORPORATED

CAST RESIN CAPITALS

18-3/4" ROMAN IONIC



SPECIFICATIONS

Load Bearing:	Yes
Material:	Cast Polyester Resin
Base Width:	18-3/4"
Height:	8-3/4"
Abacus:	25"
Scroll to Scroll:	31-3/4"