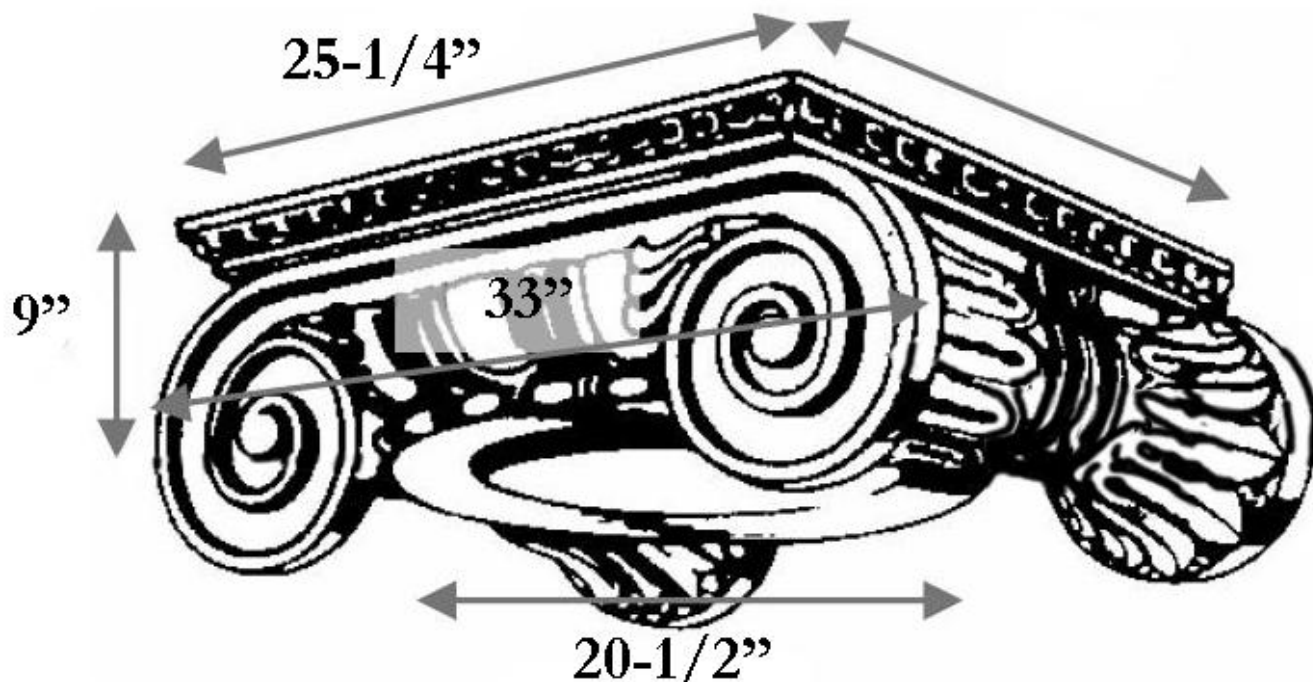


CHADSWORTH INCORPORATED

CAST RESIN CAPITALS

20-1/2" ROMAN IONIC



SPECIFICATIONS

Load Bearing:	Yes
Material:	Cast Polyester Resin
Base Width:	20-1/2"
Height:	9"
Abacus:	25-1/4"
Scroll to Scroll:	33"