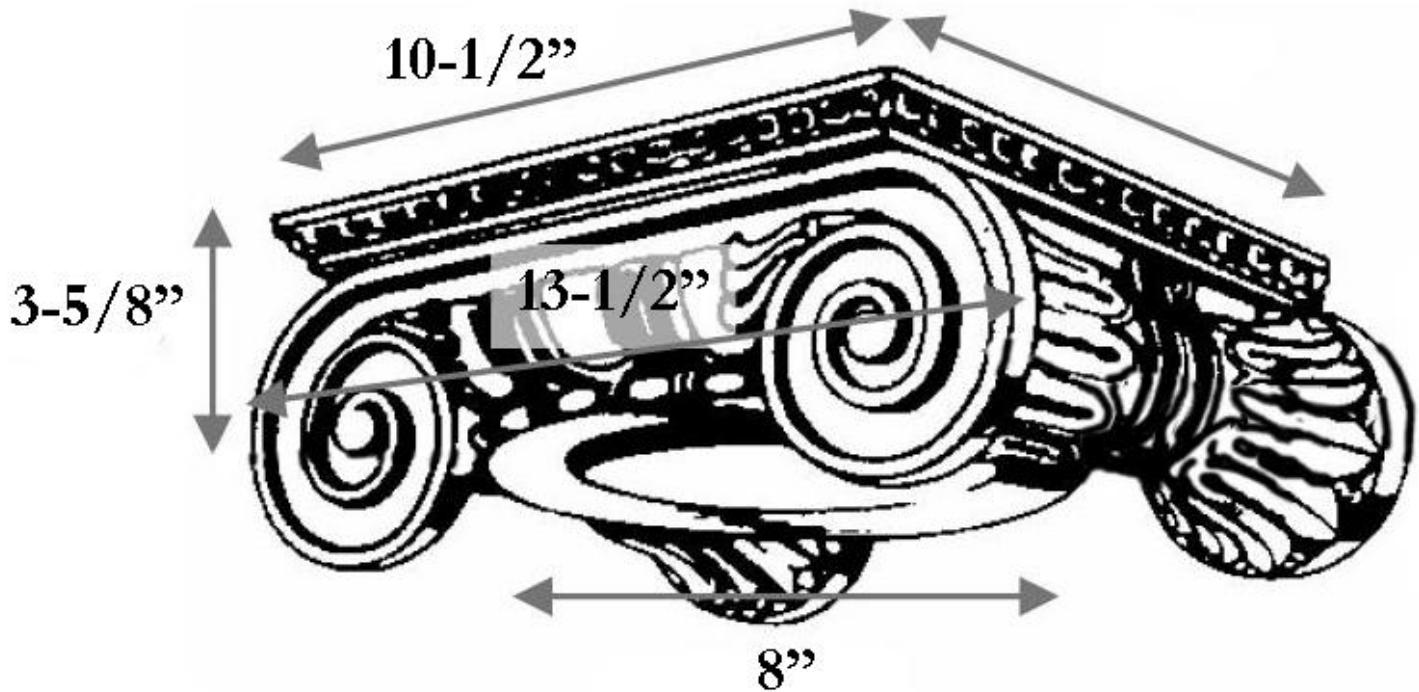


# CHADSWORTH INCORPORATED

## CAST RESIN CAPITALS

8" ROMAN IONIC



### SPECIFICATIONS

Load Bearing:	Yes
Material:	Cast Polyester Resin
Base Width:	8"
Height:	3-5/8"
Abacus:	10-1/2"
Scroll to Scroll:	13-1/2"