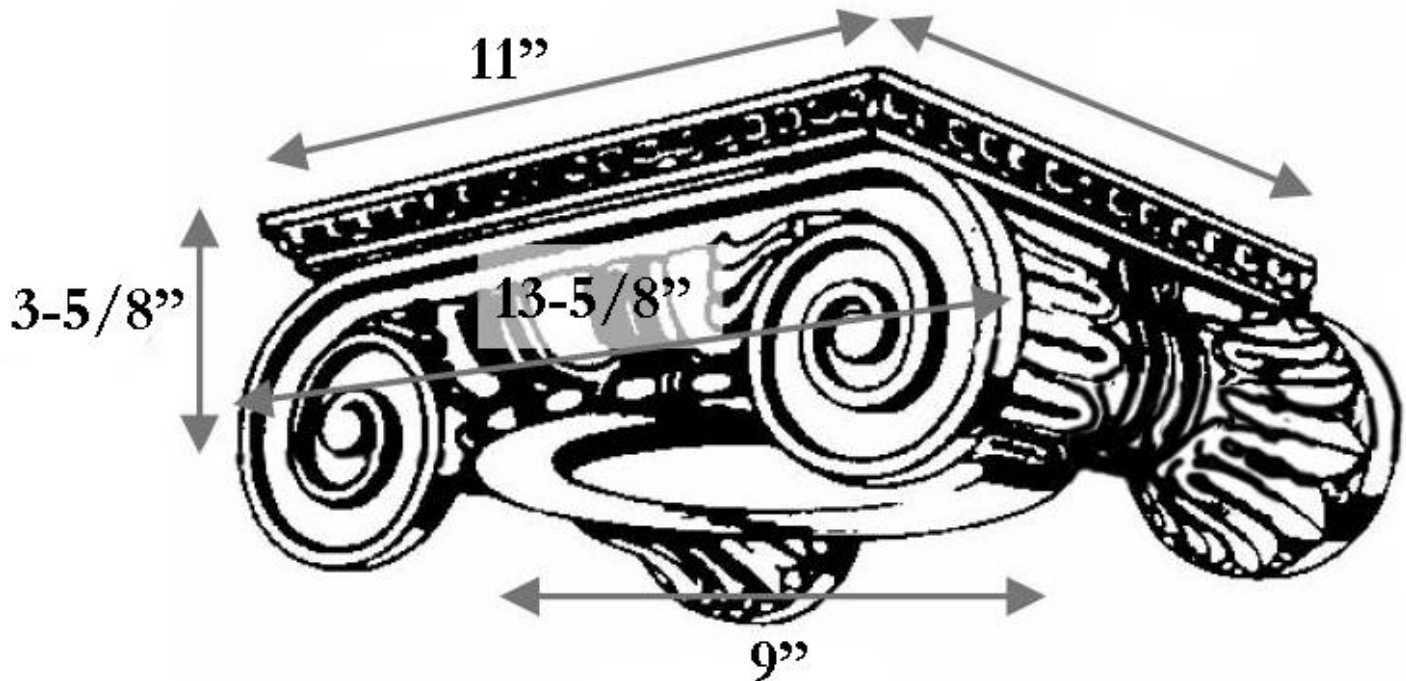


# CHADSWORTH INCORPORATED

## CAST RESIN CAPITALS

### 9" ROMAN IONIC



#### SPECIFICATIONS

Load Bearing:	Yes
Material:	Cast Polyester Resin
Base Width:	9"
Height:	3-5/8"
Abacus:	11"
Scroll to Scroll:	13-5/8"