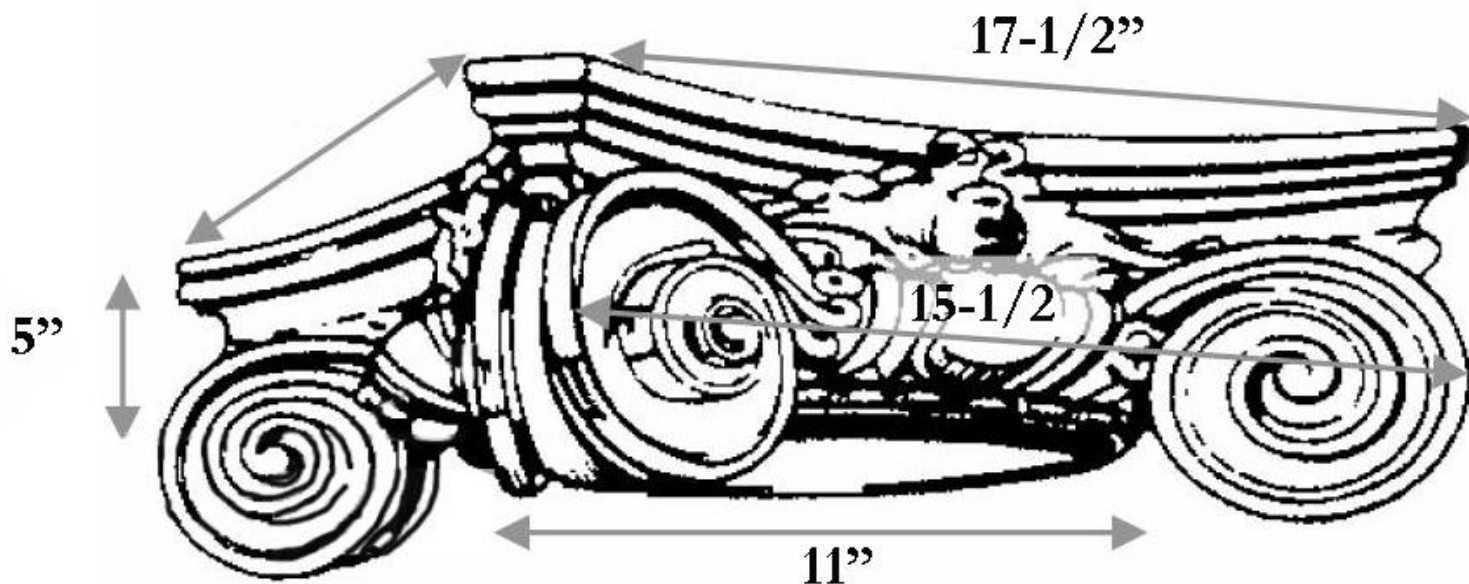


CHADSWORTH INCORPORATED

CAST RESIN CAPITALS

11" SCAMOZZI



SPECIFICATIONS

Load Bearing:	Yes
Material:	Cast Polyester Resin
Base Width:	11"
Height:	5"
Abacus:	17-1/2"
Scroll to Scroll:	15-1/2"