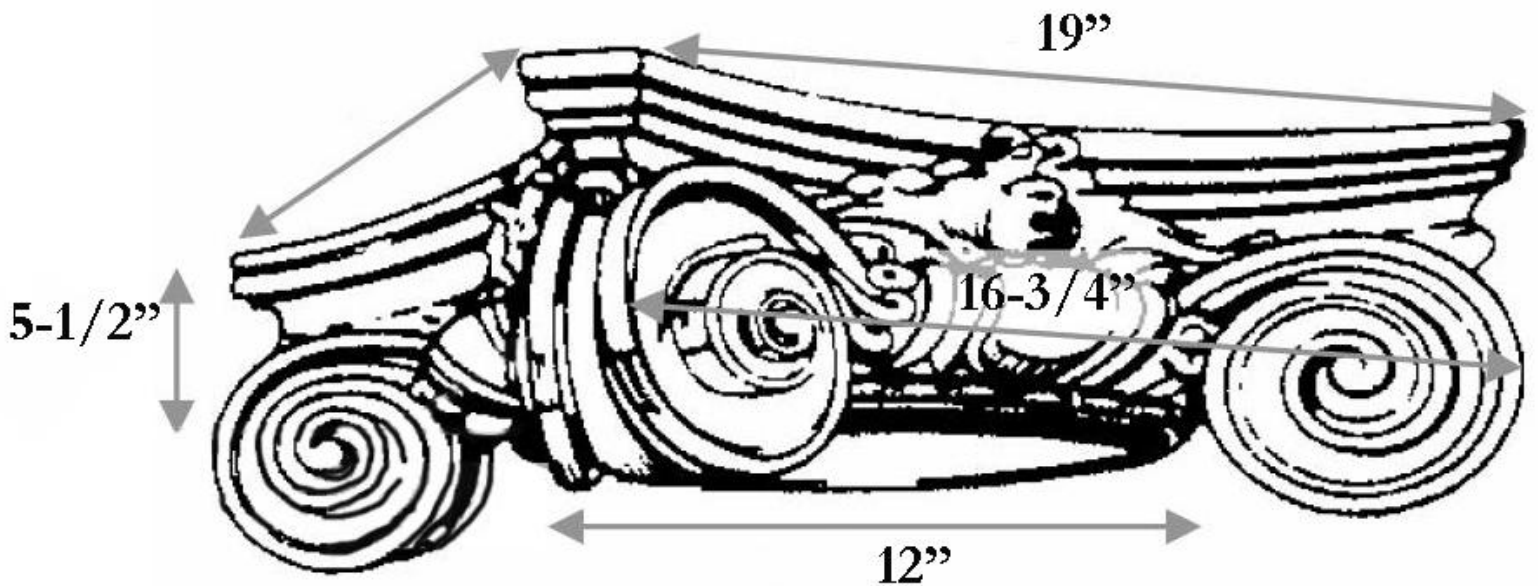


CHADSWORTH INCORPORATED

CAST RESIN CAPITALS

12" SCAMOZZI



SPECIFICATIONS

Load Bearing:	Yes
Material:	Cast Polyester Resin
Base Width:	12"
Height:	5-1/2"
Abacus:	19"
Scroll to Scroll:	16-3/4"