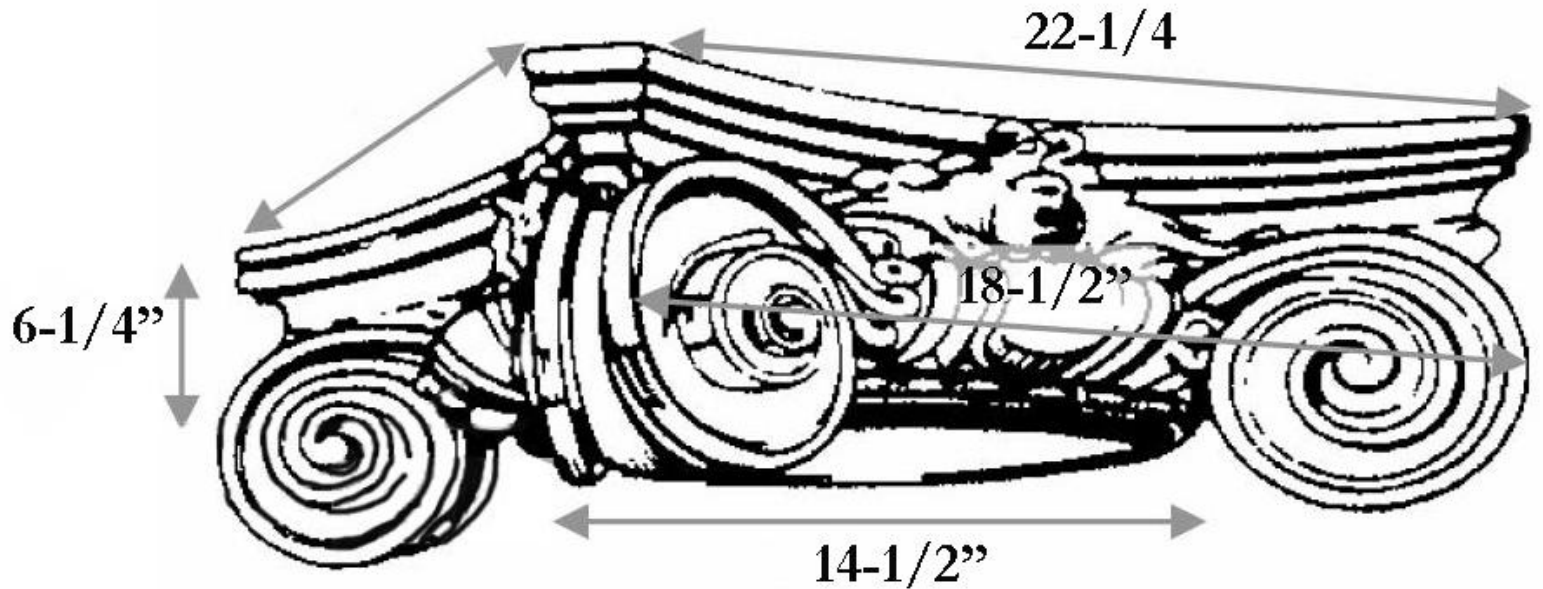


# CHADSWORTH INCORPORATED

## CAST RESIN CAPITALS

14-1/2" SCAMOZZI



### SPECIFICATIONS

Load Bearing:	Yes
Material:	Cast Polyester Resin
Base Width:	14-1/2"
Height:	6-1/4"
Abacus:	22-1/4"
Scroll to Scroll:	18-1/2"