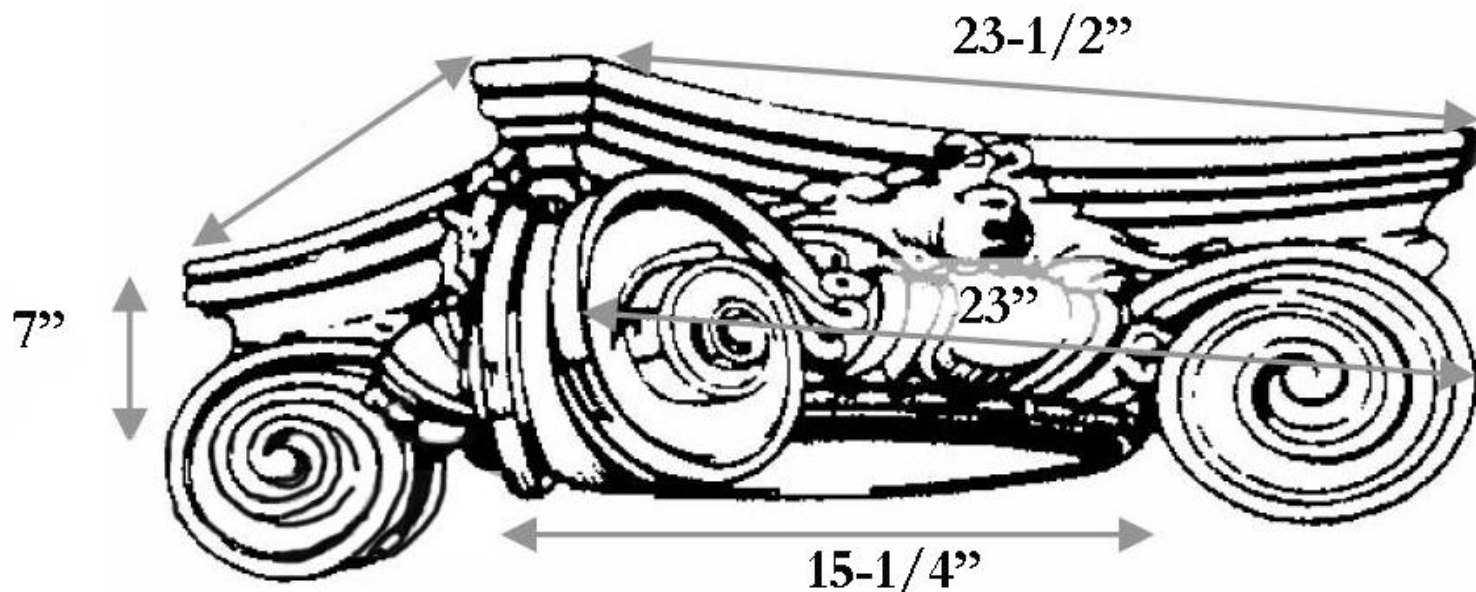


CHADSWORTH INCORPORATED

CAST RESIN CAPITALS

15-1/4" SCAMOZZI



SPECIFICATIONS

| | |
|-------------------|----------------------|
| Load Bearing: | Yes |
| Material: | Cast Polyester Resin |
| Base Width: | 15-1/4" |
| Height: | 7" |
| Abacus: | 23-1/2" |
| Scroll to Scroll: | 23" |