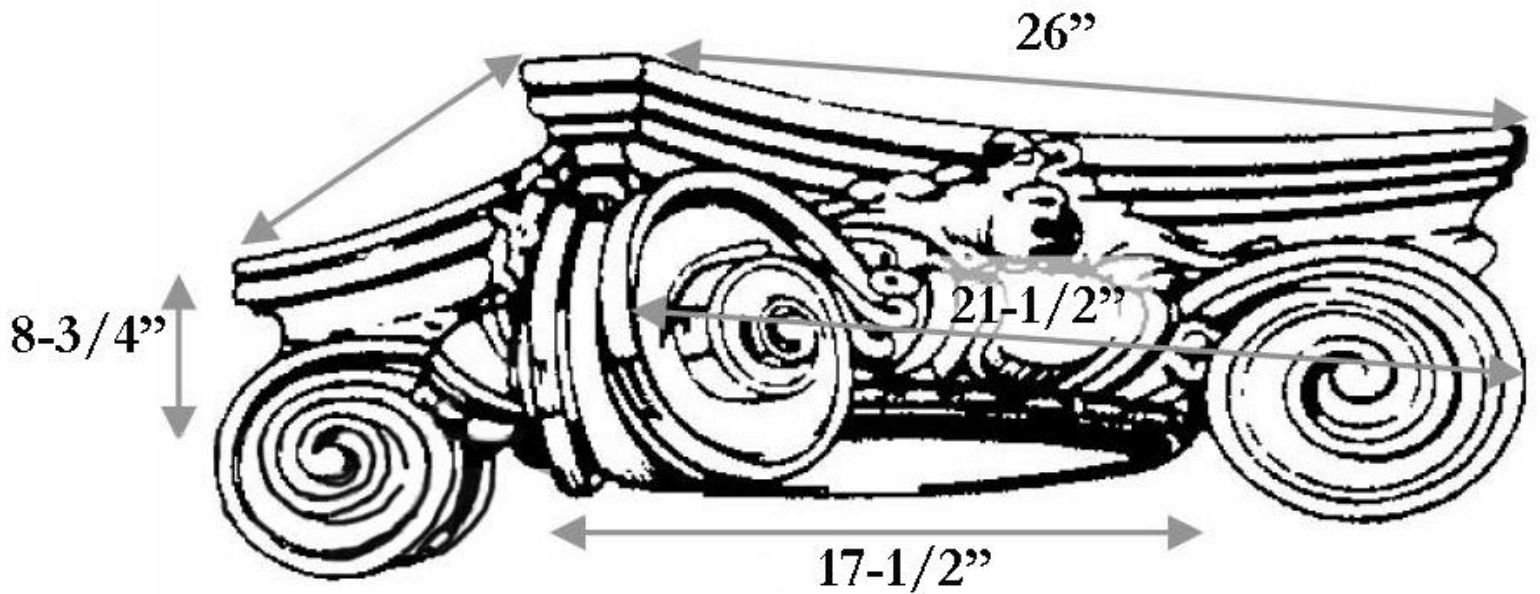


CHADSWORTH INCORPORATED

CAST RESIN CAPITALS

17-1/2" SCAMOZZI



SPECIFICATIONS

Load Bearing:	Yes
Material:	Cast Polyester Resin
Base Width:	17-1/2"
Height:	8-3/4"
Abacus:	26"
Scroll to Scroll:	21-1/2"