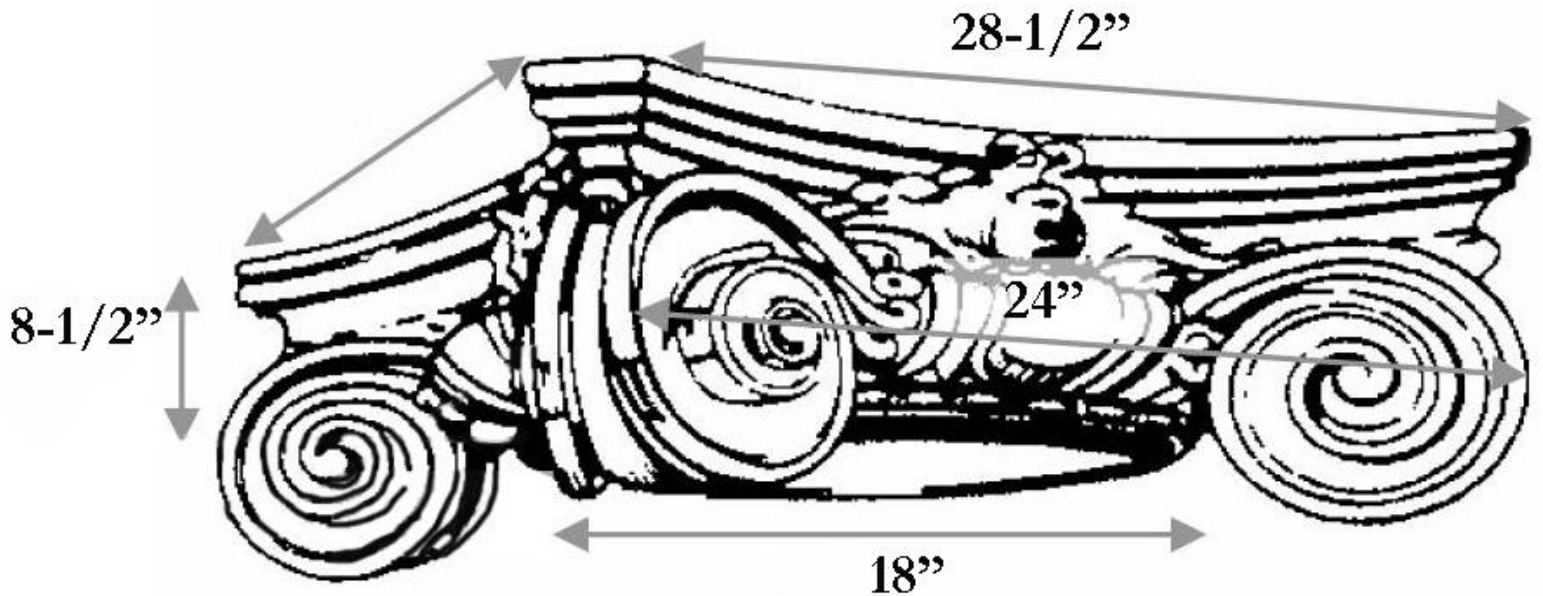


# CHADSWORTH INCORPORATED

## CAST RESIN CAPITALS

18" SCAMOZZI



### SPECIFICATIONS

Load Bearing:	Yes
Material:	Cast Polyester Resin
Base Width:	18"
Height:	8-1/2"
Abacus:	28-1/2"
Scroll to Scroll:	24"