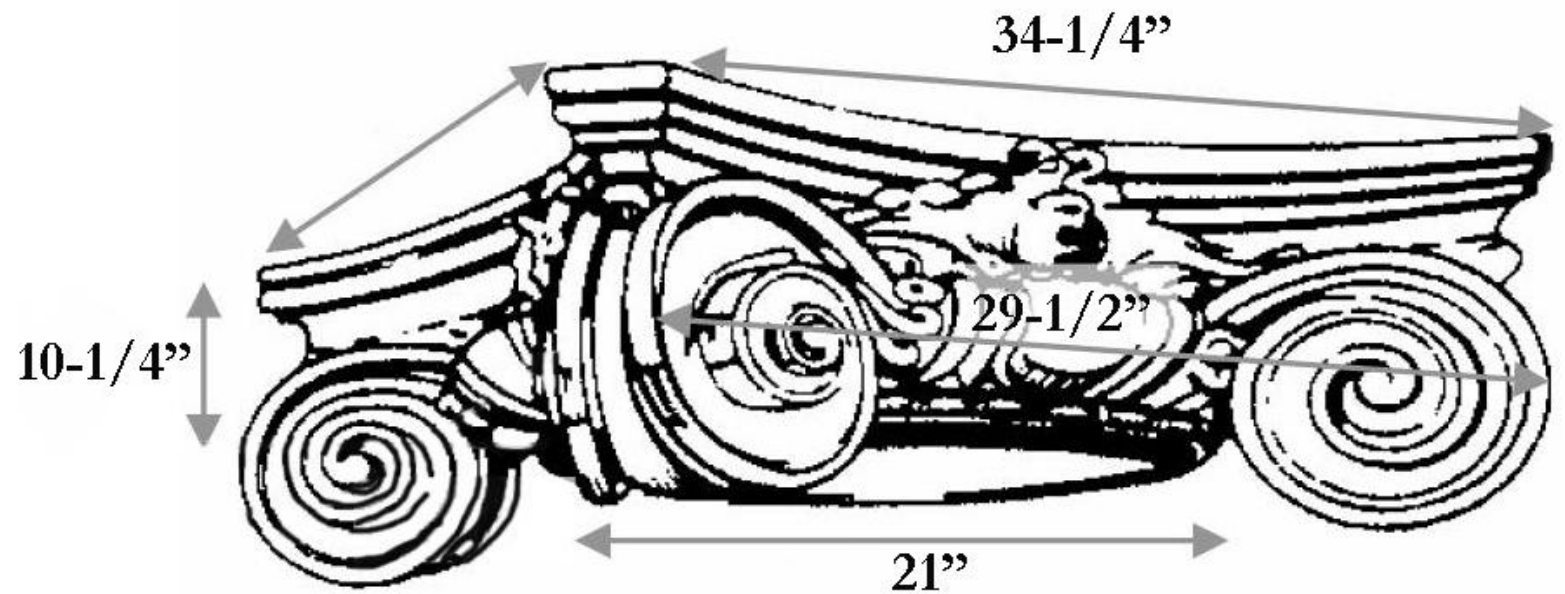


# CHADSWORTH INCORPORATED

## CAST RESIN CAPITALS

21" SCAMOZZI



### SPECIFICATIONS

Load Bearing:	Yes
Material:	Cast Polyester Resin
Base Width:	21"
Height:	10-1/4"
Abacus:	34-1/4"
Scroll to Scroll:	29-1/2"