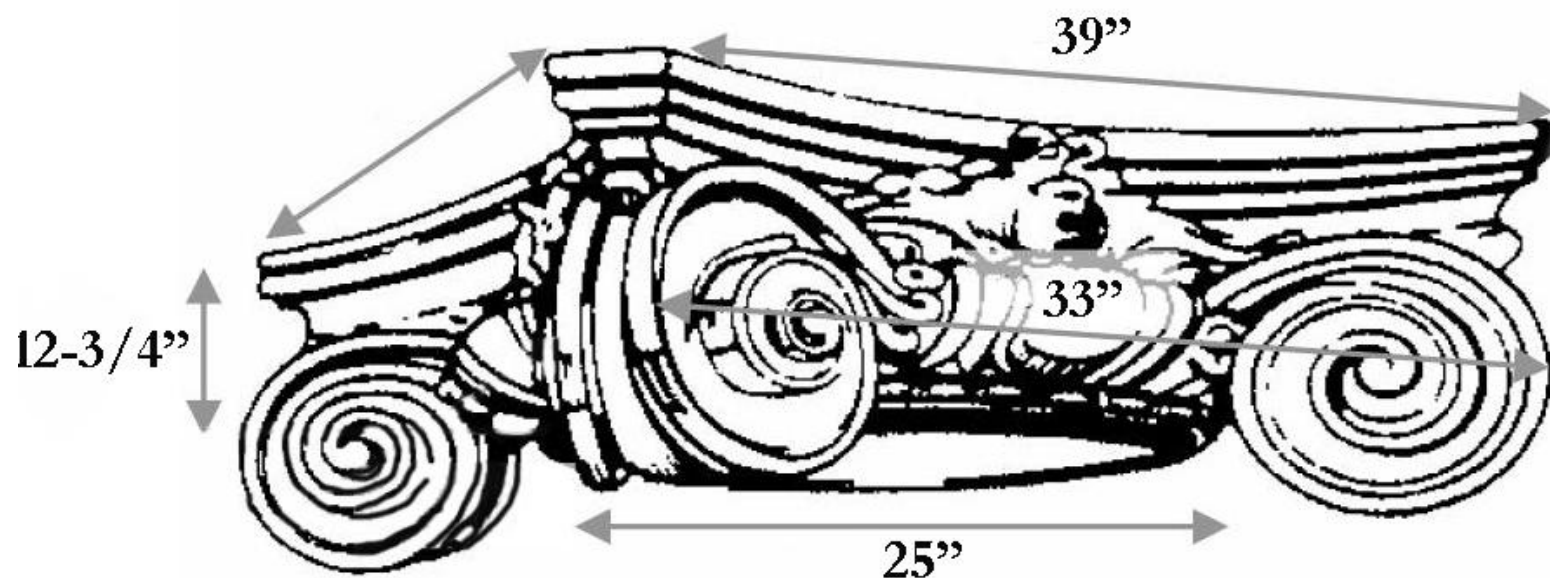


CHADSWORTH INCORPORATED

CAST RESIN CAPITALS

25" SCAMOZZI



SPECIFICATIONS

Load Bearing:	Yes
Material:	Cast Polyester Resin
Base Width:	25"
Height:	12-3/4"
Abacus:	39"
Scroll to Scroll:	33"