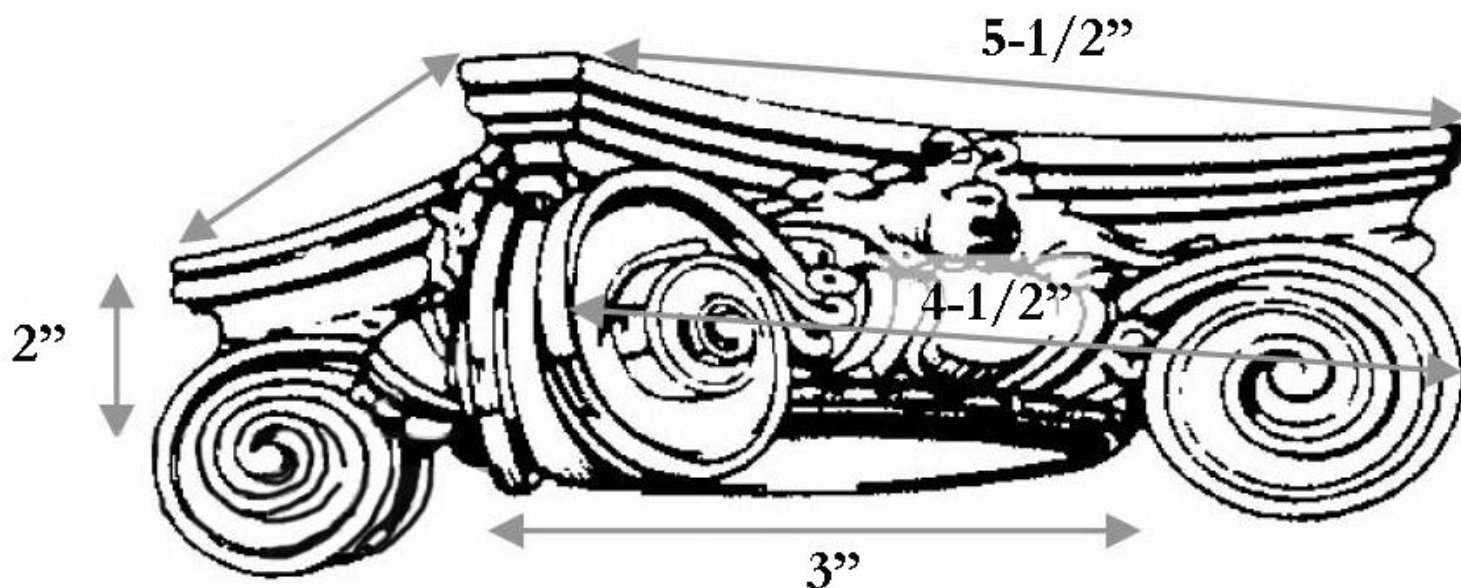


# CHADSWORTH INCORPORATED

## CAST RESIN CAPITALS

### 3" SCAMOZZI



#### SPECIFICATIONS

|                   |                      |
|-------------------|----------------------|
| Load Bearing:     | Yes                  |
| Material:         | Cast Polyester Resin |
| Base Width:       | 3"                   |
| Height:           | 2"                   |
| Abacus:           | 5-1/2"               |
| Scroll to Scroll: | 4-1/2"               |