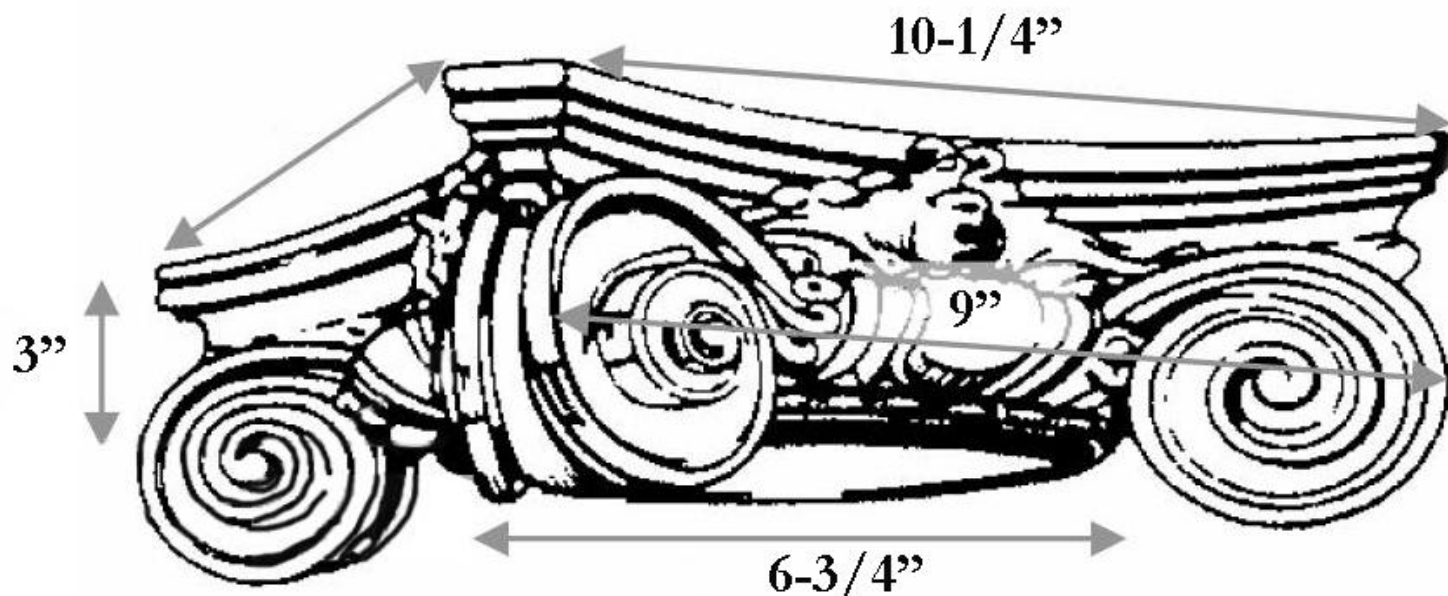


CHADSWORTH INCORPORATED

CAST RESIN CAPITALS

6-3/4" SCAMOZZI



SPECIFICATIONS

Load Bearing:	Yes
Material:	Cast Polyester Resin
Base Width:	6-3/4"
Height:	3"
Abacus:	10-1/4"
Scroll to Scroll:	9"