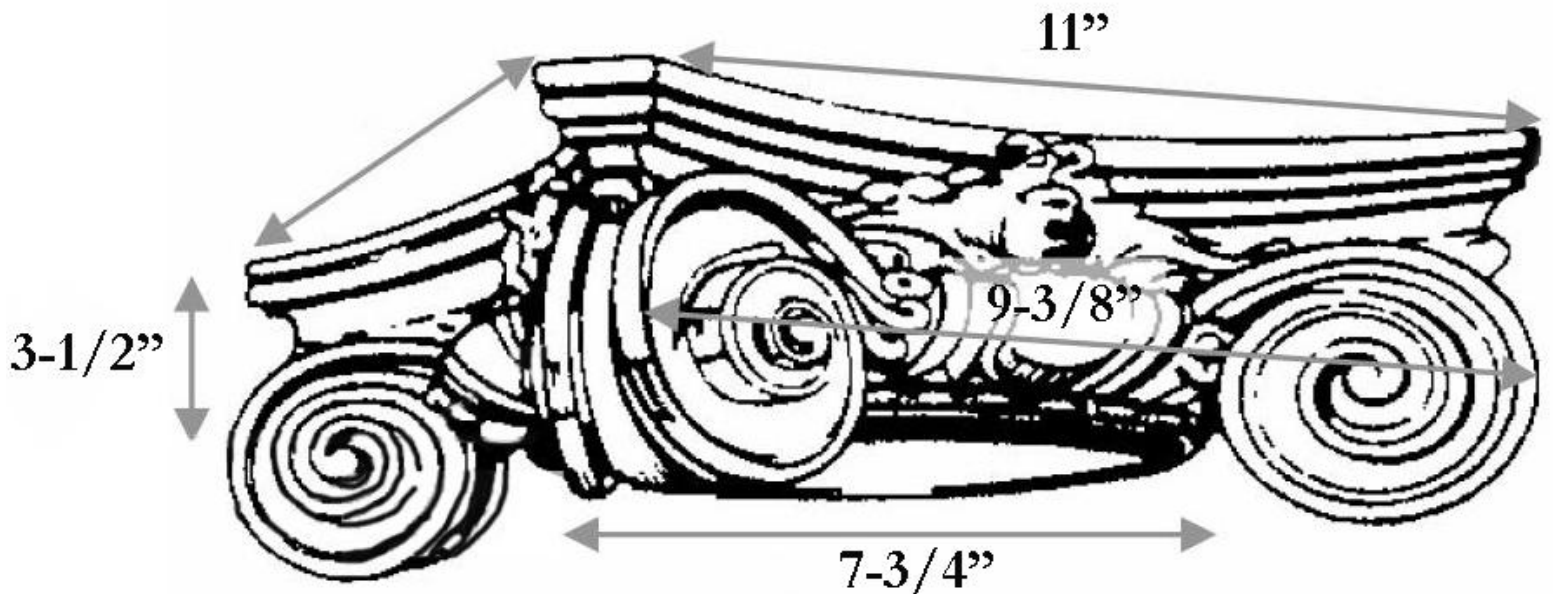


# CHADSWORTH INCORPORATED

## CAST RESIN CAPITALS

7-3/4" SCAMOZZI



### SPECIFICATIONS

|                   |                      |
|-------------------|----------------------|
| Load Bearing:     | Yes                  |
| Material:         | Cast Polyester Resin |
| Base Width:       | 7-3/4"               |
| Height:           | 3-1/2"               |
| Abacus:           | 11"                  |
| Scroll to Scroll: | 9-3/8"               |