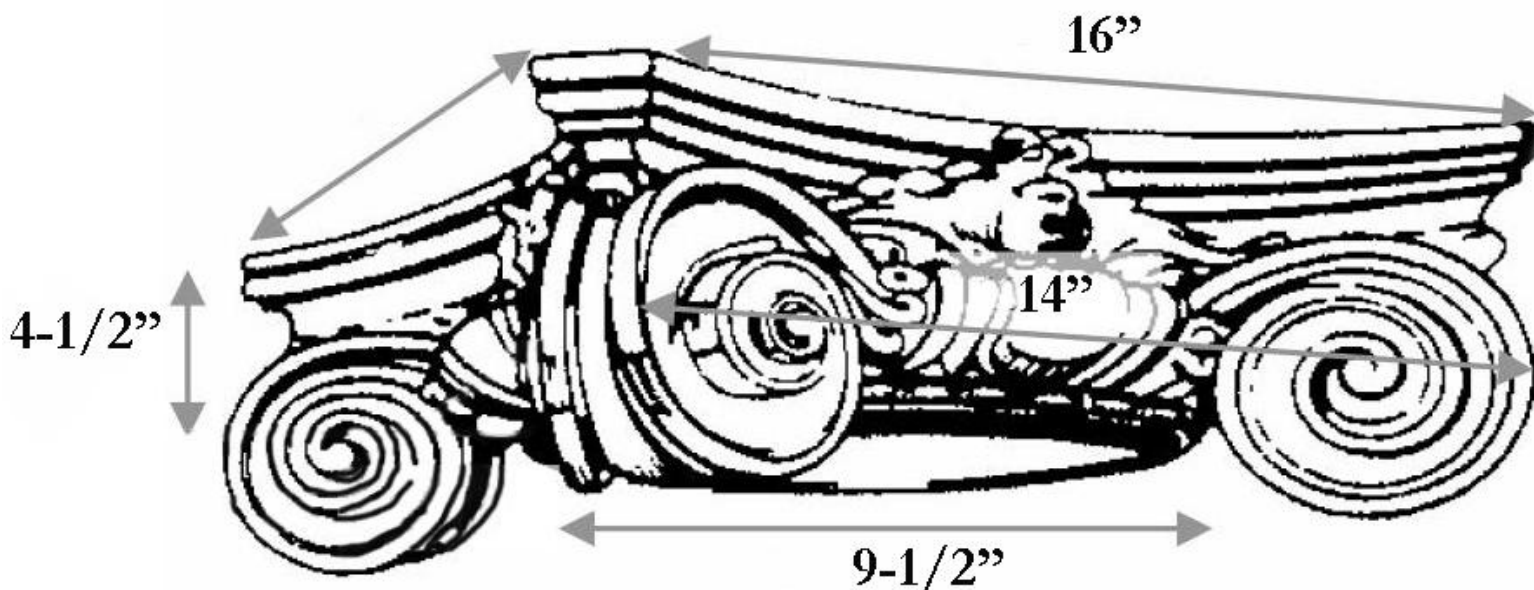


# CHADSWORTH INCORPORATED

## CAST RESIN CAPITALS

9-1/2" SCAMOZZI



### SPECIFICATIONS

Load Bearing:	Yes
Material:	Cast Polyester Resin
Base Width:	9-1/2"
Height:	4-1/2"
Abacus:	16"
Scroll to Scroll:	14"