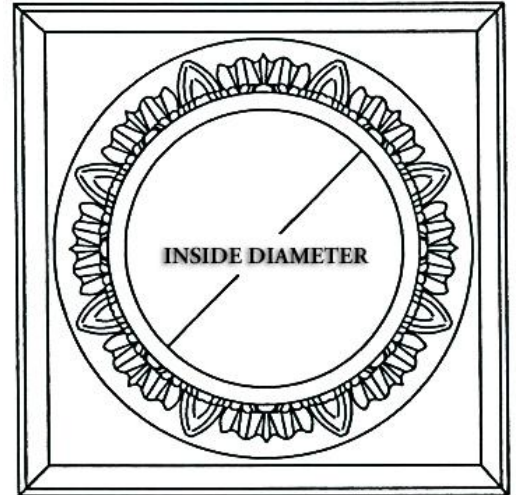
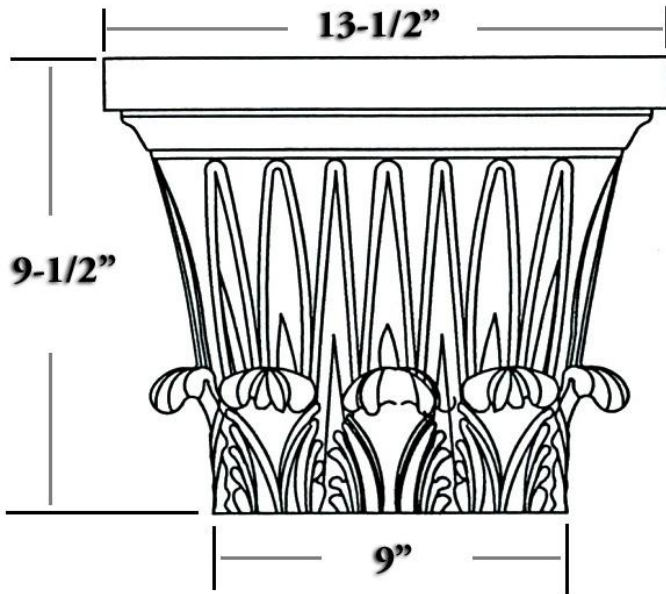


# CHADSWORTH INCORPORATED

## CLASSIC STONE CAPITALS

### GREEK CORINTHIAN CAPITAL FOR A 10" COLUMN



#### SPECIFICATIONS

Load Bearing:	Yes
Product Weight:	30.5 lbs
Material:	Classic Stone
Base Width:	9"
Height:	9-1/2"
Abacus:	13-1/2"
Inner Diameter:	6"

#### FINISHING OPTIONS



WHITE



OFF-WHITE



CREAM



LIMESTONE



SANDSTONE



CLIFFSIDE  
GRAY