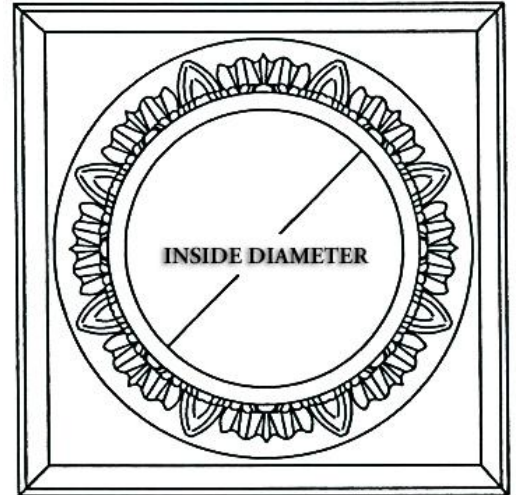
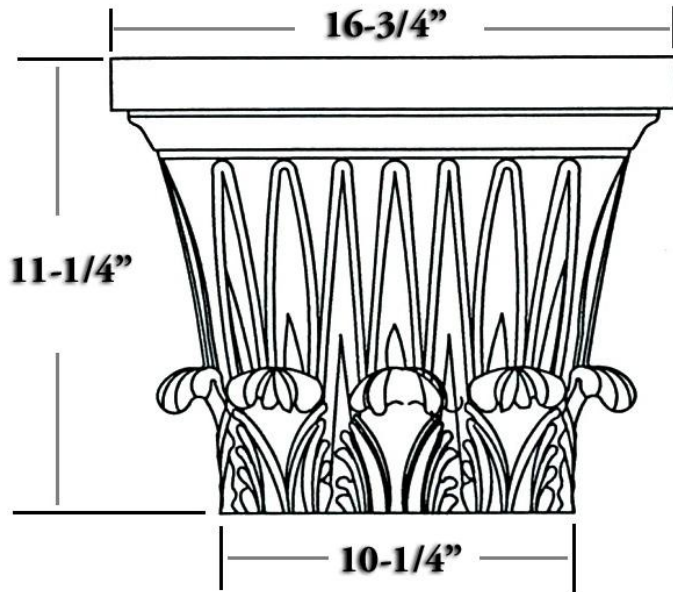


CHADSWORTH INCORPORATED

CLASSIC STONE CAPITALS

GREEK CORINTHIAN CAPITAL FOR A 12" COLUMN



SPECIFICATIONS

Load Bearing:	Yes
Product Weight:	41 lbs
Material:	Classic Stone
Base Width:	10-1/4"
Height:	11-1/4"
Abacus:	16-3/4"
Inner Diameter:	7-1/4"

FINISHING OPTIONS



WHITE



OFF-WHITE



CREAM



LIMESTONE



SANDSTONE



CLIFFSIDE
GRAY