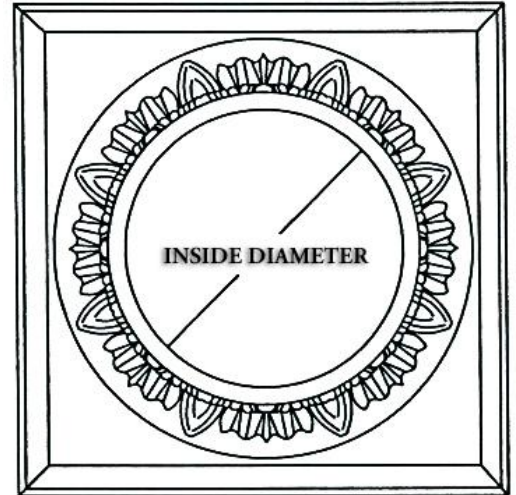
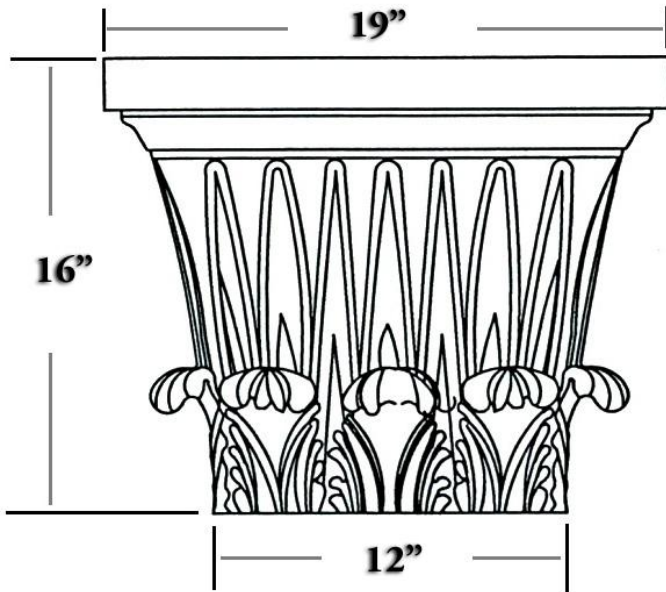


# CHADSWORTH INCORPORATED

## CLASSIC STONE CAPITALS

### GREEK CORINTHIAN CAPITAL FOR A 14" COLUMN



#### SPECIFICATIONS

Load Bearing:	Yes
Product Weight:	120 lbs
Material:	Classic Stone
Base Width:	12"
Height:	16"
Abacus:	19"
Inner Diameter:	9"

#### FINISHING OPTIONS



WHITE



OFF-WHITE



CREAM



LIMESTONE



SANDSTONE



CLIFFSIDE  
GRAY