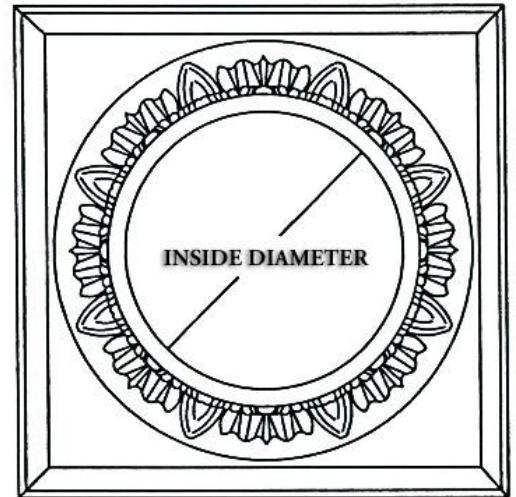
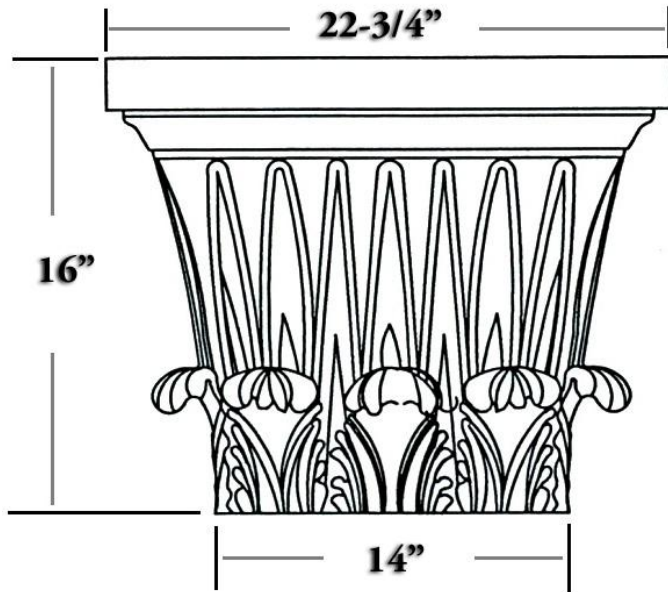


# CHADSWORTH INCORPORATED

## CLASSIC STONE CAPITALS

### GREEK CORINTHIAN CAPITAL FOR A 16" COLUMN



#### SPECIFICATIONS

Load Bearing:	Yes
Product Weight:	160 lbs
Material:	Classic Stone
Base Width:	14"
Height:	16"
Abacus:	22-3/4"
Inner Diameter:	9-1/2"

#### FINISHING OPTIONS



WHITE



OFF-WHITE



CREAM



LIMESTONE



SANDSTONE



CLIFFSIDE  
GRAY