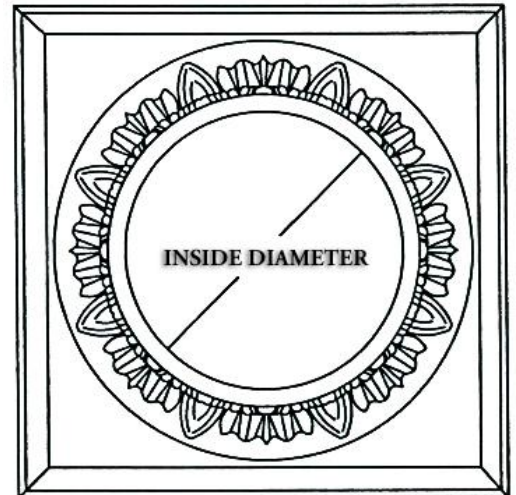
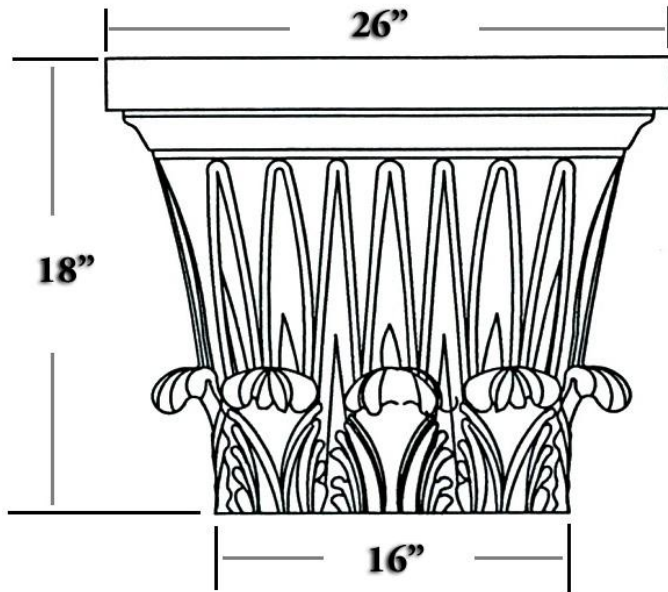


# CHADSWORTH INCORPORATED

## CLASSIC STONE CAPITALS

### GREEK CORINTHIAN CAPITAL FOR AN 18" COLUMN



#### SPECIFICATIONS

Load Bearing:	Yes
Product Weight:	175 lbs
Material:	Classic Stone
Base Width:	16"
Height:	18"
Abacus:	26"
Inner Diameter:	14"

#### FINISHING OPTIONS



WHITE



OFF-WHITE



CREAM



LIMESTONE



SANDSTONE



CLIFFSIDE  
GRAY