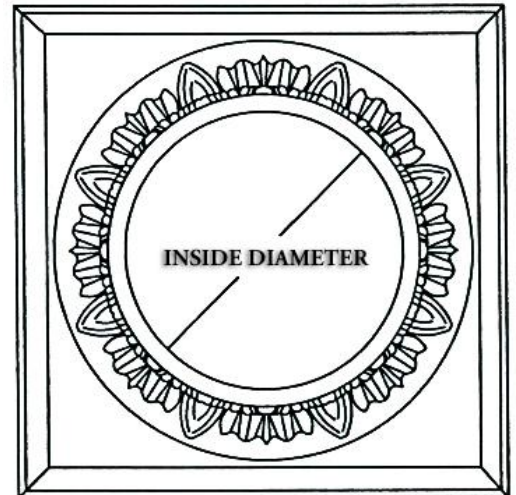
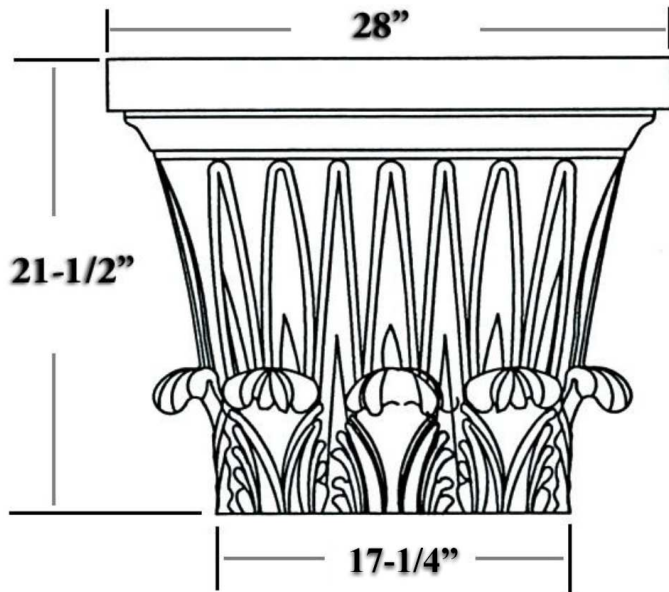


CHADSWORTH INCORPORATED

CLASSIC STONE CAPITALS

GREEK CORINTHIAN CAPITAL FOR A 20" COLUMN



SPECIFICATIONS

Load Bearing:	Yes
Product Weight:	210 lbs
Material:	Classic Stone
Base Width:	17-1/4"
Height:	21-1/2"
Abacus:	28"
Inner Diameter:	14"

FINISHING OPTIONS



WHITE



OFF-WHITE



CREAM



LIMESTONE



SANDSTONE



CLIFFSIDE
GRAY