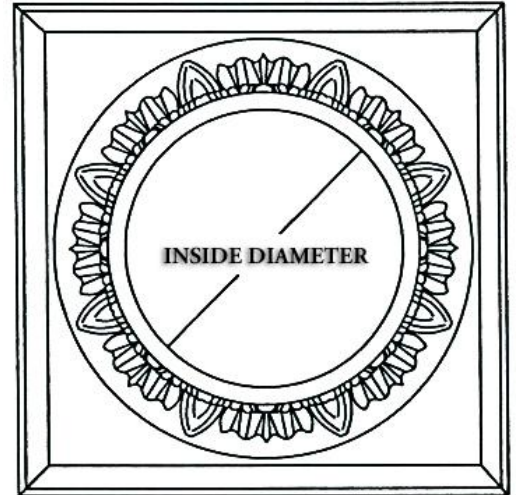
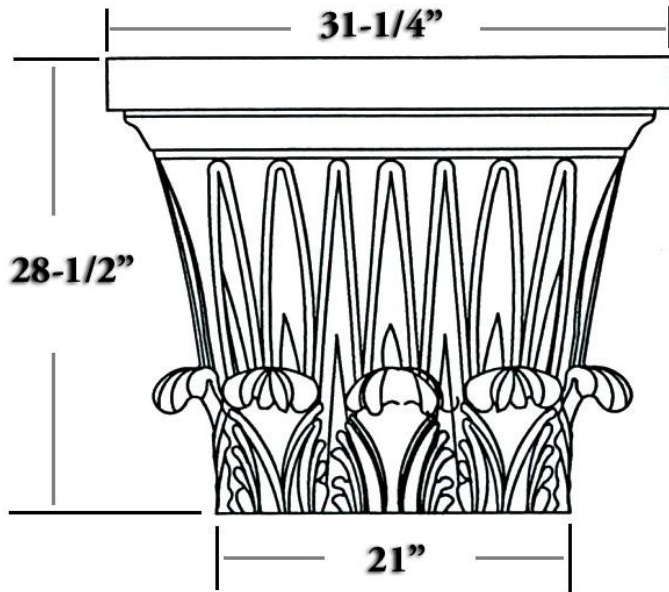


CHADSWORTH INCORPORATED

CLASSIC STONE CAPITALS

GREEK CORINTHIAN CAPITAL FOR A 24" COLUMN



SPECIFICATIONS

Load Bearing:	Yes
Product Weight:	360 lbs
Material:	Classic Stone
Base Width:	21"
Height:	28-1/2"
Abacus:	31-1/4"
Inner Diameter:	17"

FINISHING OPTIONS



WHITE



OFF-WHITE



CREAM



LIMESTONE



SANDSTONE



CLIFFSIDE
GRAY