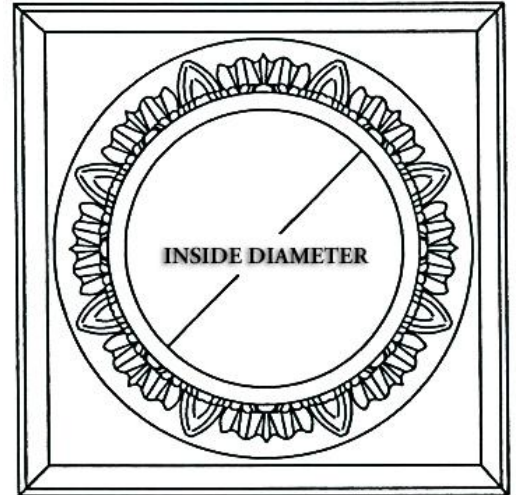
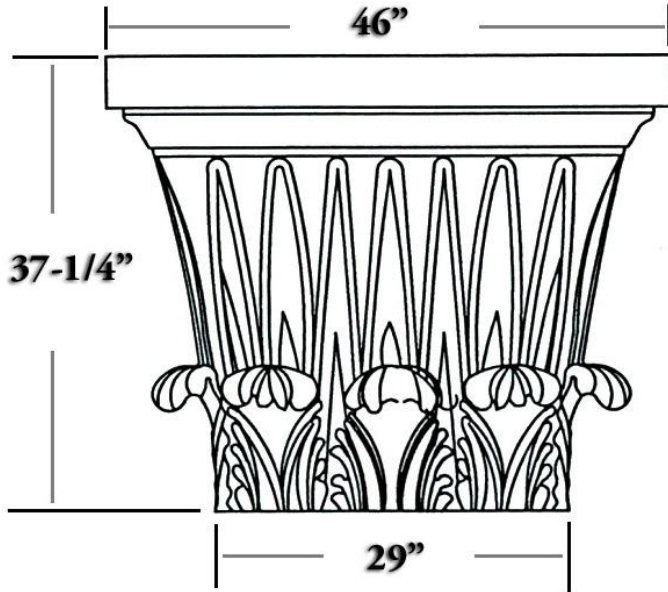


CHADSWORTH INCORPORATED

CLASSIC STONE CAPITALS

GREEK CORINTHIAN CAPITAL FOR A 36" COLUMN



SPECIFICATIONS

Load Bearing:	Yes
Product Weight:	720 lbs
Material:	Classic Stone
Base Width:	29"
Height:	37-1/4"
Abacus:	46"
Inner Diameter:	26"

FINISHING OPTIONS



WHITE



OFF-WHITE



CREAM



LIMESTONE



SANDSTONE



CLIFFSIDE
GRAY