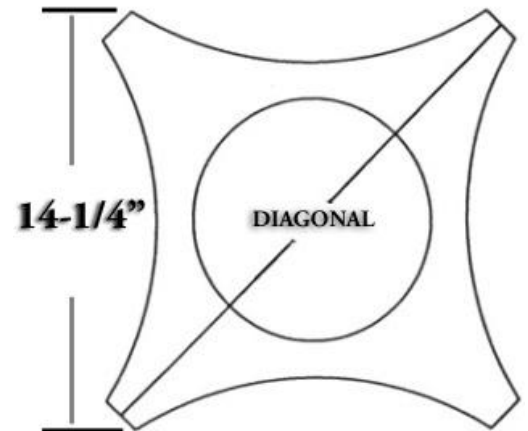
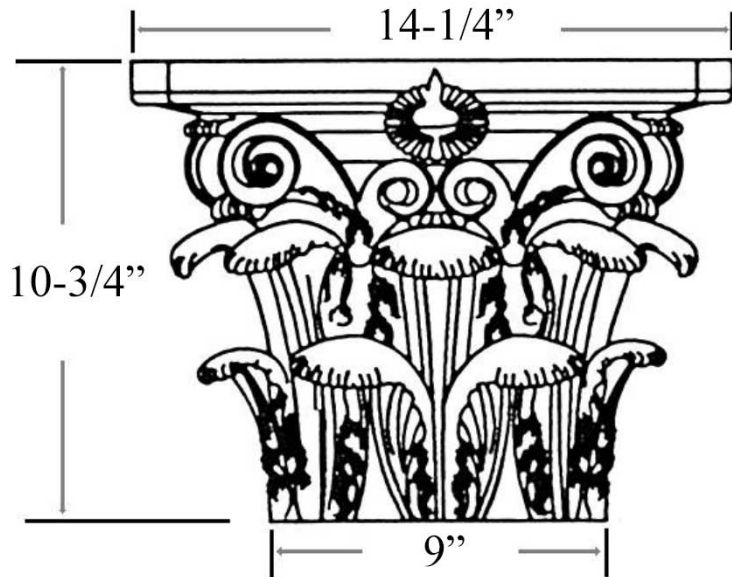


# CHADSWORTH INCORPORATED

## CLASSIC STONE CAPITALS

### ROMAN CORINTHIAN CAPITAL FOR A 10" COLUMN



$$\text{DIAGONAL} = \sqrt{w^2 + w^2}$$

#### SPECIFICATIONS

Load Bearing:	Yes
Product Weight:	30 lbs
Material:	Classic Stone
Base Width:	9"
Height:	10-3/4"
Abacus:	14-1/4"
Inner Diameter:	6"

#### FINISHING OPTIONS



WHITE



OFF-WHITE



CREAM



LIMESTONE



SANDSTONE



CLIFFSIDE  
GRAY