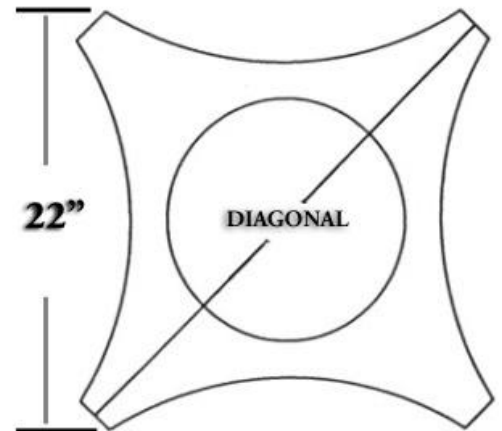
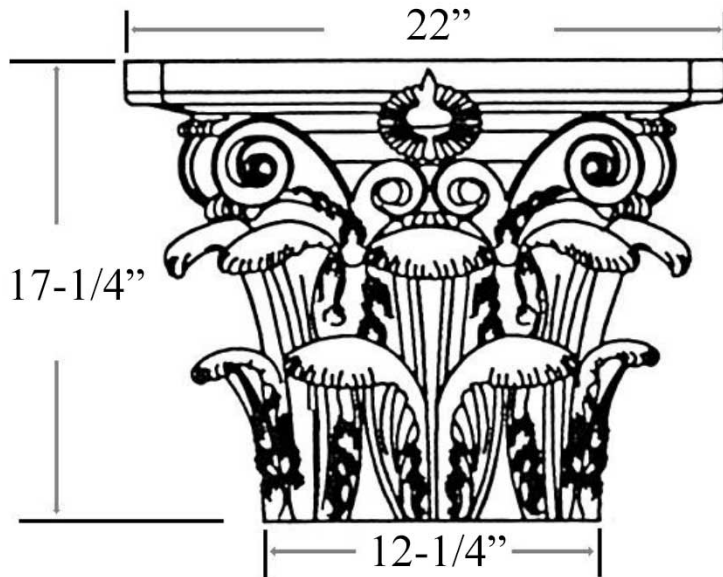


CHADSWORTH INCORPORATED

CLASSIC STONE CAPITALS

ROMAN CORINTHIAN CAPITAL FOR A 14" COLUMN



$$\text{DIAGONAL} = \sqrt{w^2 + w^2}$$

SPECIFICATIONS

Load Bearing:	Yes
Product Weight:	116 lbs
Material:	Classic Stone
Base Width:	12-1/4"
Height:	17-1/4"
Abacus:	22"
Inner Diameter:	8-7/8"

FINISHING OPTIONS



WHITE



OFF-WHITE



CREAM



LIMESTONE



SANDSTONE



CLIFFSIDE
GRAY