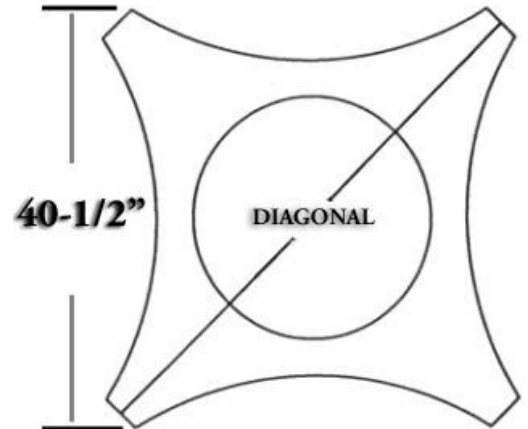
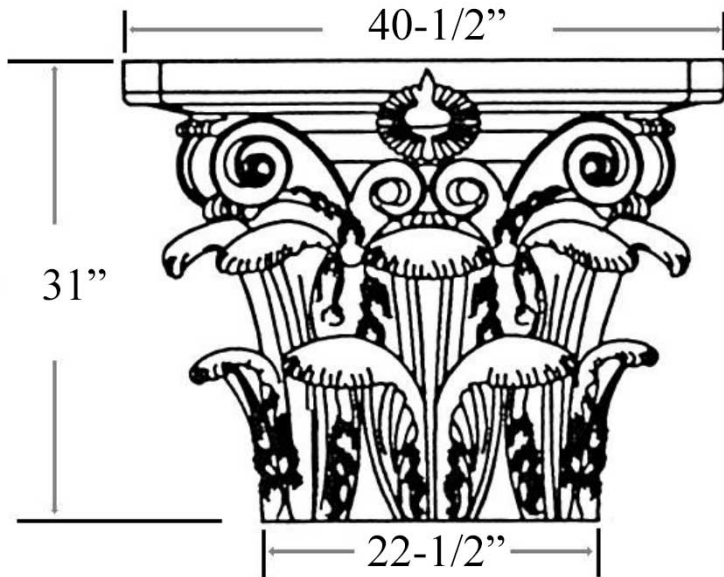


# CHADSWORTH INCORPORATED

## CLASSIC STONE CAPITALS

### ROMAN CORINTHIAN CAPITAL FOR A 24" COLUMN



$$\text{DIAGONAL} = \sqrt{w^2 + w^2}$$

#### SPECIFICATIONS

Load Bearing:	Yes
Product Weight:	490 lbs
Material:	Classic Stone
Base Width:	22-1/2"
Height:	31"
Abacus:	40-1/2"
Inner Diameter:	19"

#### FINISHING OPTIONS



WHITE



OFF-WHITE



CREAM



LIMESTONE



SANDSTONE



CLIFFSIDE  
GRAY