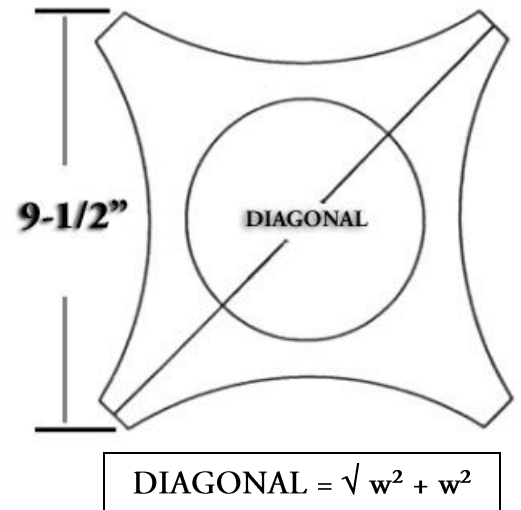
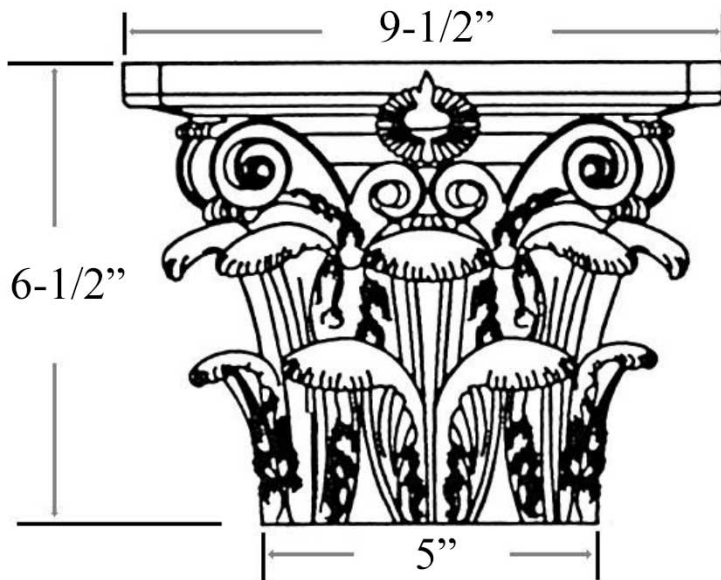


# CHADSWORTH INCORPORATED

## CLASSIC STONE CAPITALS

### ROMAN CORINTHIAN CAPITAL FOR A 6" COLUMN



#### SPECIFICATIONS

Load Bearing:	Yes
Product Weight:	10 lbs
Material:	Classic Stone
Base Width:	5"
Height:	6-1/2"
Abacus:	9-1/2"
Inner Diameter:	2-1/4"

#### FINISHING OPTIONS



WHITE



OFF-WHITE



CREAM



LIMESTONE



SANDSTONE



CLIFFSIDE  
GRAY