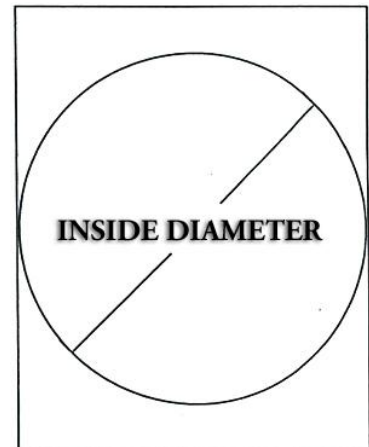
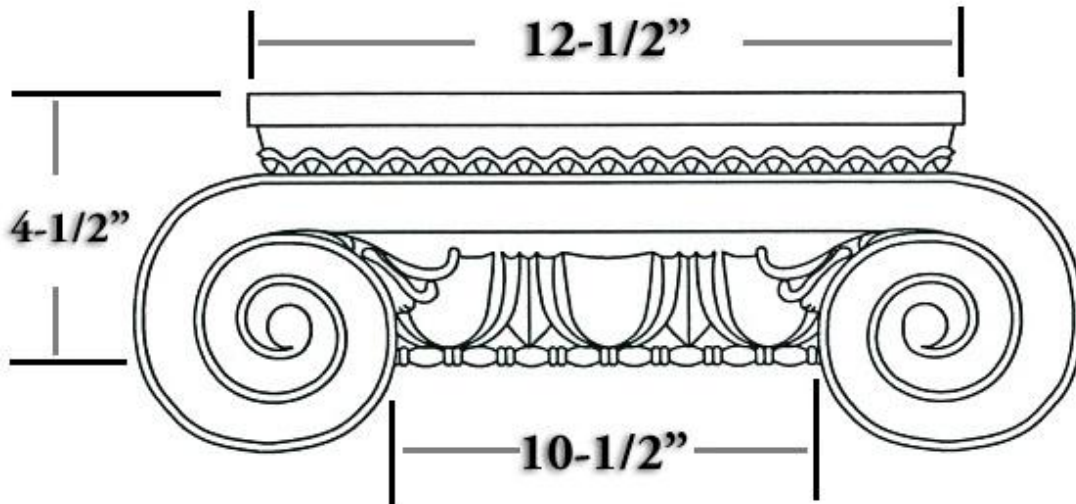


CHADSWORTH INCORPORATED

CLASSIC STONE CAPITALS

ROMAN IONIC CAPITAL FOR A 12" COLUMN



SPECIFICATIONS

Load Bearing:	Yes
Product Weight:	28 lbs
Material:	Classic Stone
Base Width:	10-1/2"
Height:	4-1/2"
Abacus:	12-1/2"
Inner Diameter:	7-3/4"

FINISHING OPTIONS



WHITE



OFF-WHITE



CREAM



LIMESTONE



SANDSTONE



CLIFFSIDE
GRAY