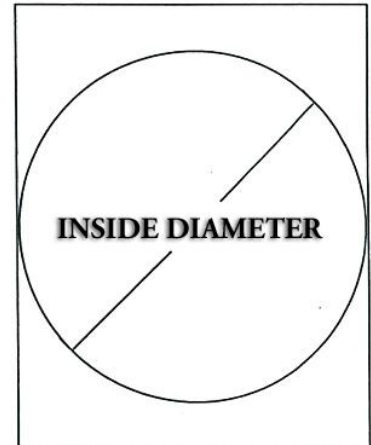
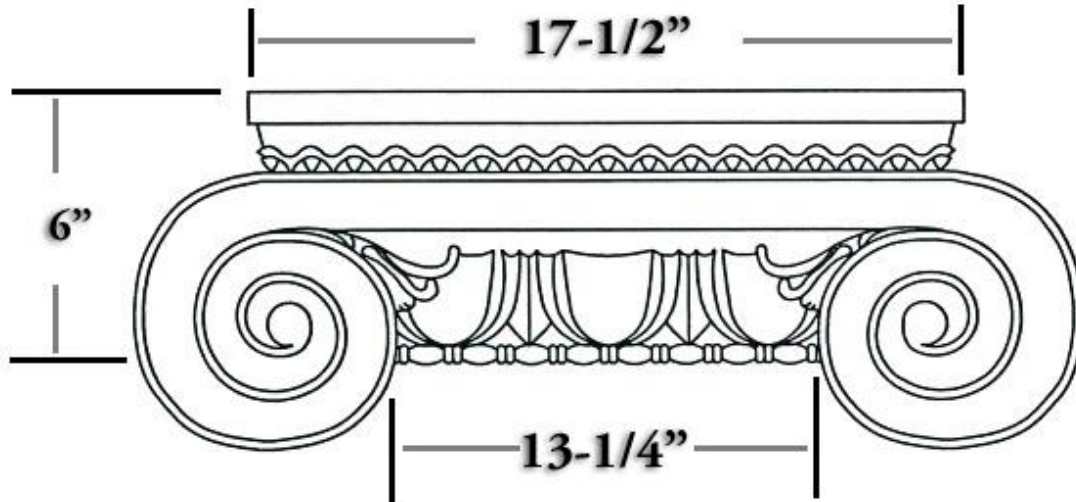


# CHADSWORTH INCORPORATED

## CLASSIC STONE CAPITALS

### ROMAN IONIC CAPITAL FOR A 14" COLUMN



#### SPECIFICATIONS

Load Bearing:	Yes
Product Weight:	57 lbs
Material:	Classic Stone
Base Width:	13-1/4"
Height:	6"
Abacus:	17-1/2"
Inner Diameter:	8-3/4"

#### FINISHING OPTIONS



WHITE



OFF-WHITE



CREAM



LIMESTONE



SANDSTONE



CLIFFSIDE  
GRAY