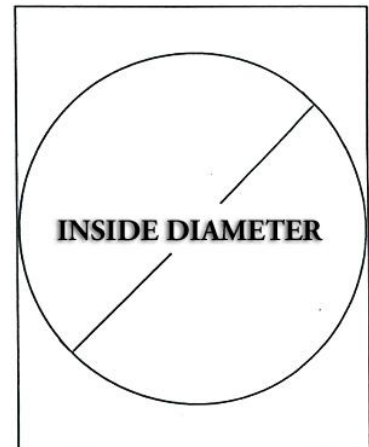
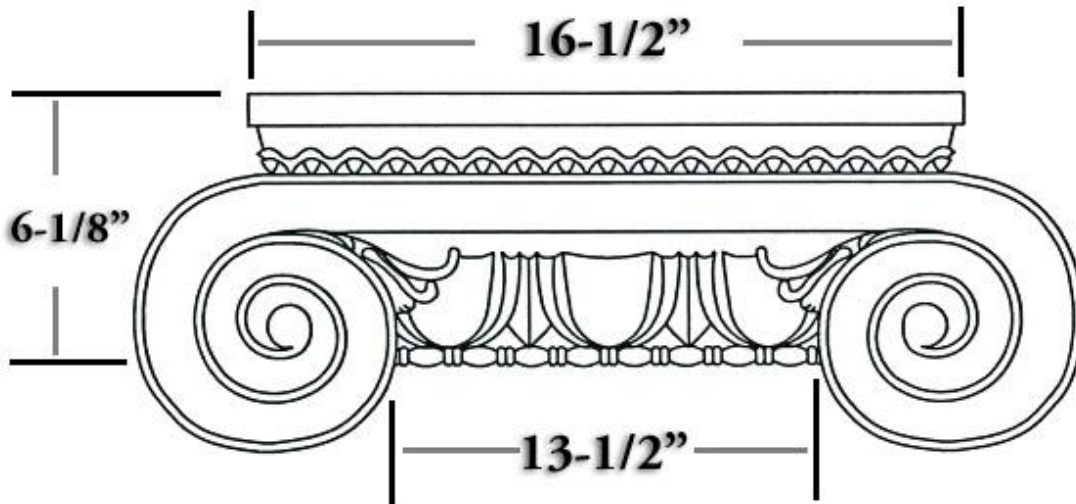


CHADSWORTH INCORPORATED

CLASSIC STONE CAPITALS

ROMAN IONIC CAPITAL FOR A 16" COLUMN



SPECIFICATIONS

Load Bearing:	Yes
Product Weight:	65 lbs
Material:	Classic Stone
Base Width:	13-1/2"
Height:	6-1/8"
Abacus:	16-1/2"
Inner Diameter:	11"

FINISHING OPTIONS



WHITE



OFF-WHITE



CREAM



LIMESTONE



SANDSTONE



CLIFFSIDE
GRAY