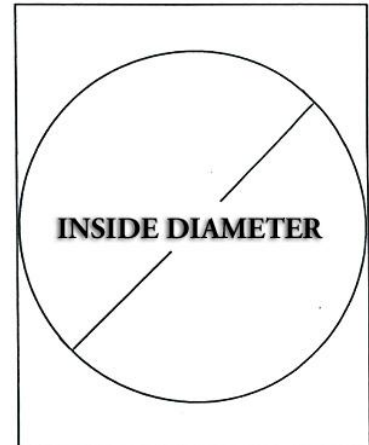
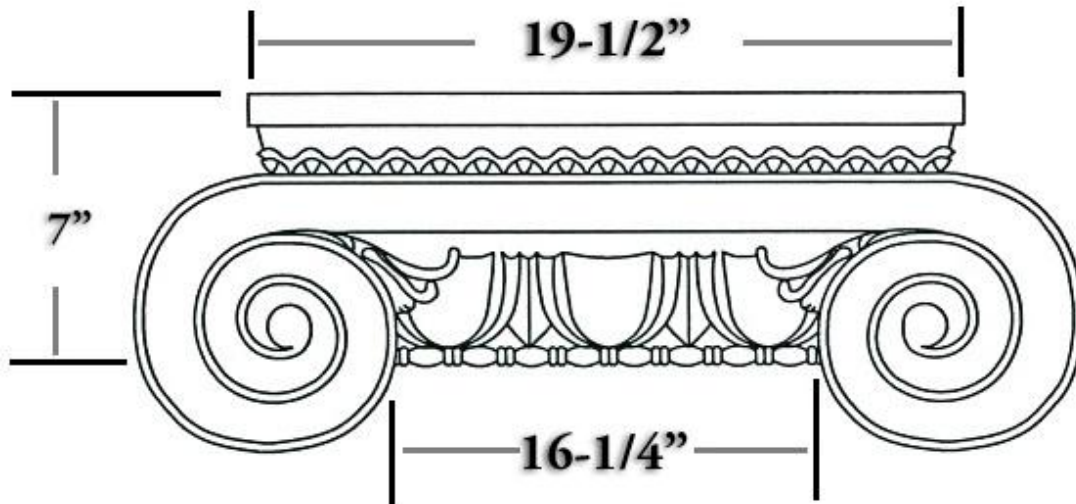


CHADSWORTH INCORPORATED

CLASSIC STONE CAPITALS

ROMAN IONIC CAPITAL FOR AN 18" COLUMN



SPECIFICATIONS

Load Bearing:	Yes
Product Weight:	100 lbs
Material:	Classic Stone
Base Width:	16-1/4"
Height:	7"
Abacus:	19-1/2"
Inner Diameter:	13-1/4"

FINISHING OPTIONS



WHITE



OFF-WHITE



CREAM



LIMESTONE



SANDSTONE



CLIFFSIDE
GRAY