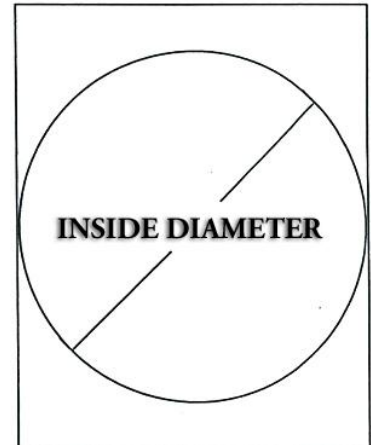
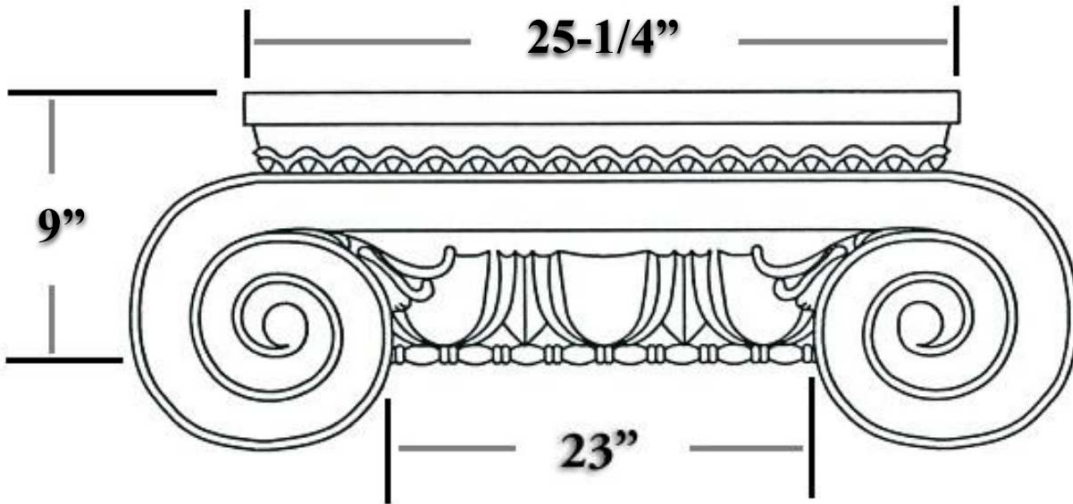


# CHADSWORTH INCORPORATED

## CLASSIC STONE CAPITALS

### ROMAN IONIC CAPITAL FOR A 24" COLUMN



#### SPECIFICATIONS

Load Bearing:	Yes
Product Weight:	250 lbs
Material:	Classic Stone
Base Width:	23"
Height:	9"
Abacus:	25-1/4"
Inner Diameter:	20"

#### FINISHING OPTIONS



WHITE



OFF-WHITE



CREAM



LIMESTONE



SANDSTONE



CLIFFSIDE  
GRAY