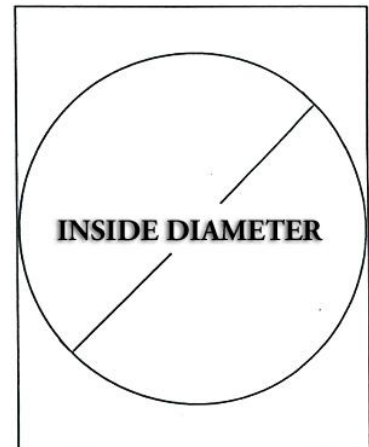
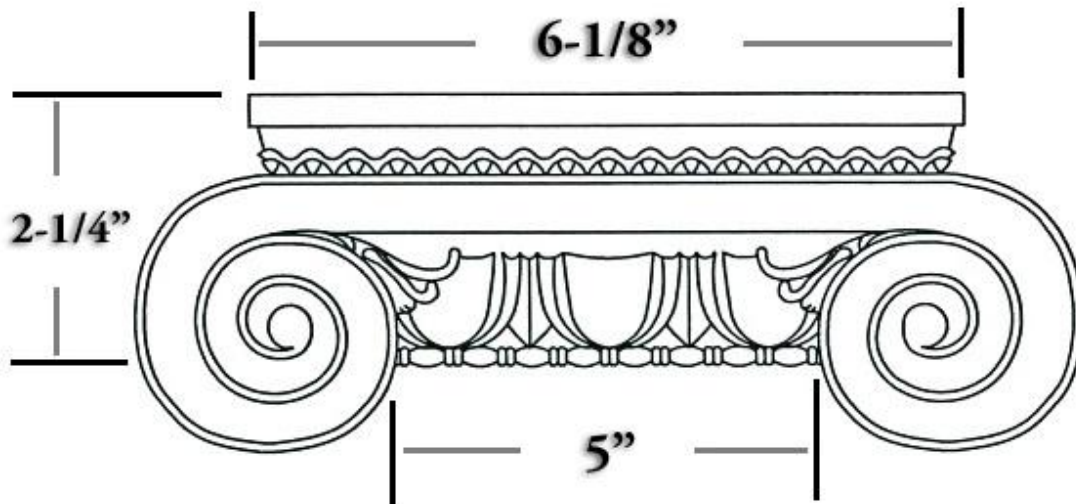


CHADSWORTH INCORPORATED

CLASSIC STONE CAPITALS

ROMAN IONIC CAPITAL FOR A 6" COLUMN



SPECIFICATIONS

Load Bearing:	Yes
Product Weight:	4 lbs
Material:	Classic Stone
Base Width:	5"
Height:	2-1/4"
Abacus:	6-1/8"
Inner Diameter:	2-1/4"

FINISHING OPTIONS



WHITE



OFF-WHITE



CREAM



LIMESTONE



SANDSTONE



CLIFFSIDE
GRAY